

Se não houver instruções no seu idioma, entre em contato com os funcionários do estabelecimento para obter informações

Eğer talimatlar dilinizde basılı değilse, lütfen atölye personelinden bilgi isteyiniz.

Αν οι οδηγίες δεν εκτυπώνονται στη γλώσσα σας, παρακαλούμε ζητήστε πληροφορίες από το προσωπικό του καταστήματος.

ถ้าไม่มีคำแนะนำในภาษาของคุณ โปรดติดต่อพนักงานในวันเพื่อขอข้อมูล

THULE®

SWEDEN

- S** Monteringsanvisning
 - GB** Fitting instructions
 - D** Montageanleitung
 - F** Instructions de montage
 - NL** Montage-instructies
 - FIN** Asennusohje
 - E** Instrucciones de montaje
 - I** Istruzioni per il montaggio
 - CZ** Návod na montáž
 - PL** Instrukcja montażu
 - HU** Szerelési utasítások
 - RU** Инструкции по установке
 - EST** Paigalduseeskirjad
 - SLO** Navodila za pritrjevanje
- 한국어 장착 지침
日本語 取扱(取付)説明書
中文 安装说明

- NISSAN King Cab, 2/4-dr, 86-97, 98-01, 02-*
- NISSAN Pathfinder (WD21), 3-dr SUV, 86-96*
- NISSAN Pathfinder (WD21), 5-dr SUV, 89-96*
- NISSAN Terrano (WD21), 3-dr SUV, 86-96*
- NISSAN Terrano (WD21), 5-dr SUV, 86-96*

RAPID SYSTEM

Kit 1086



Follow me...

THULE®

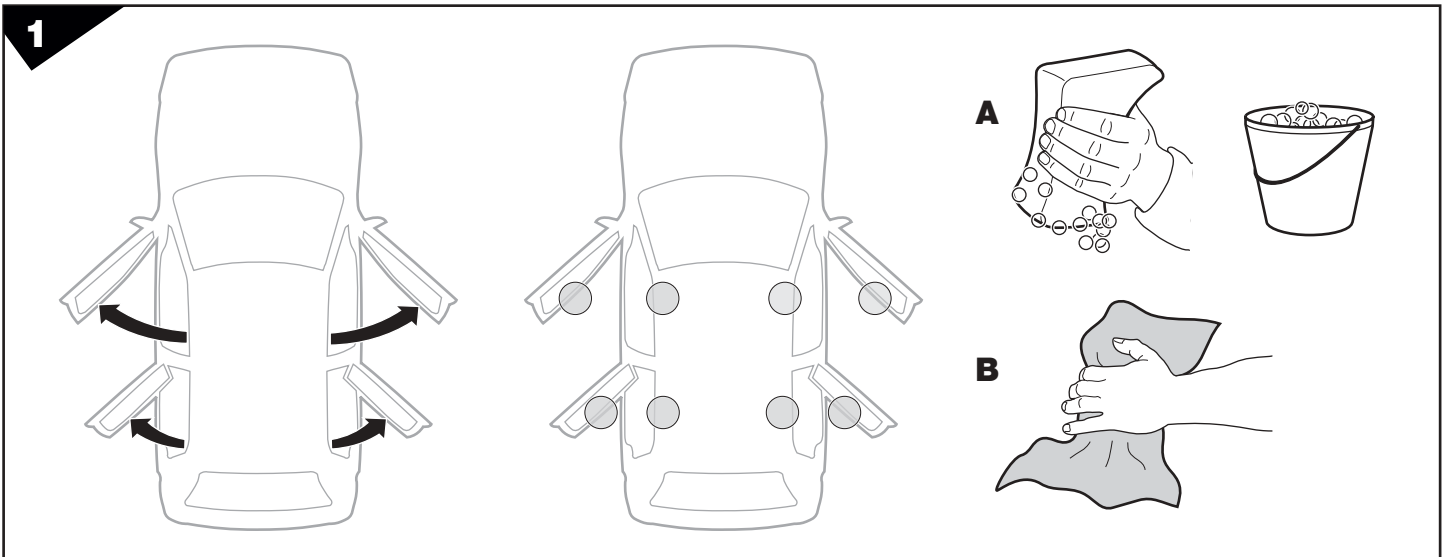
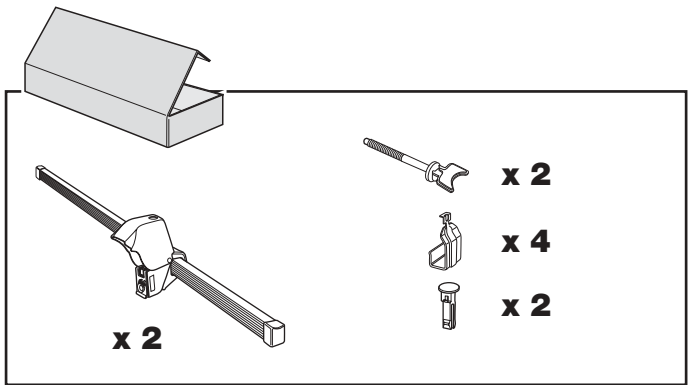
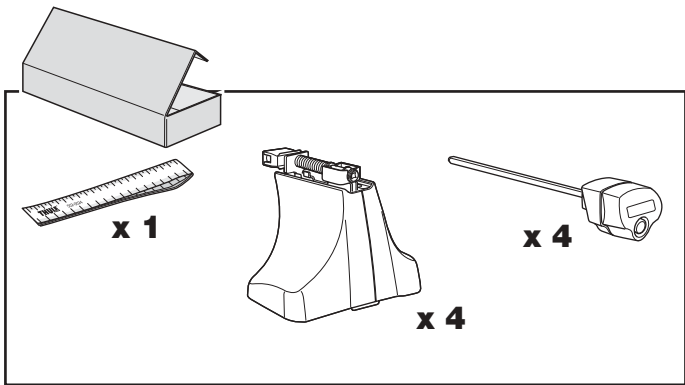
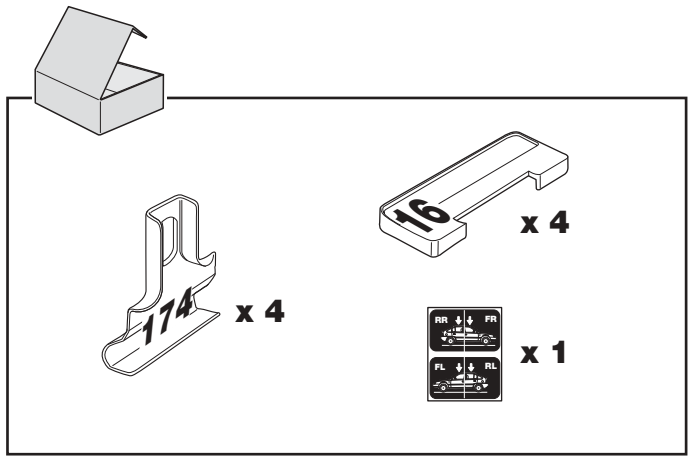
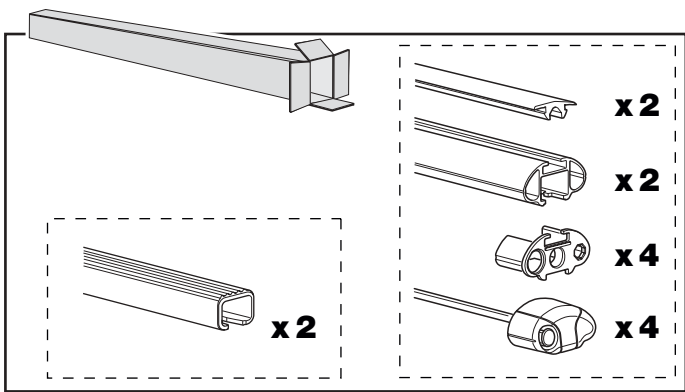
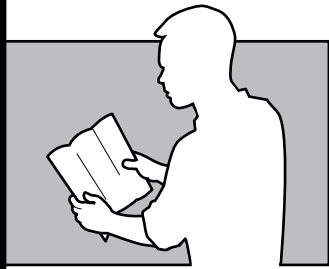
SWEDEN

Box 69, 330 33 Hillerstorp, SWEDEN
www.thule.com

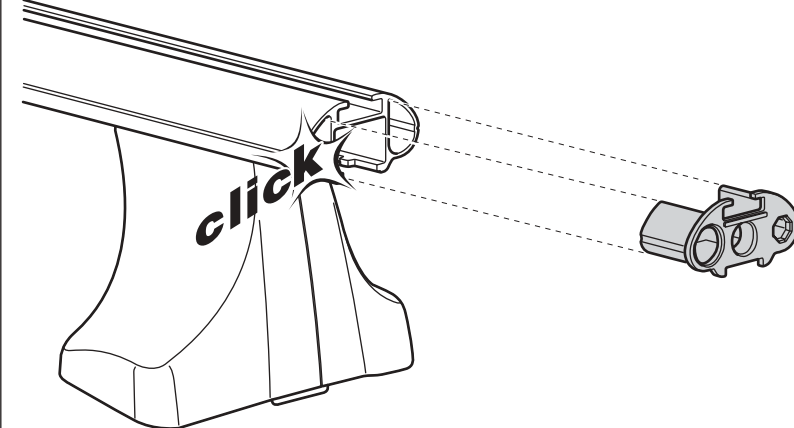
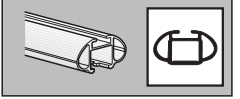
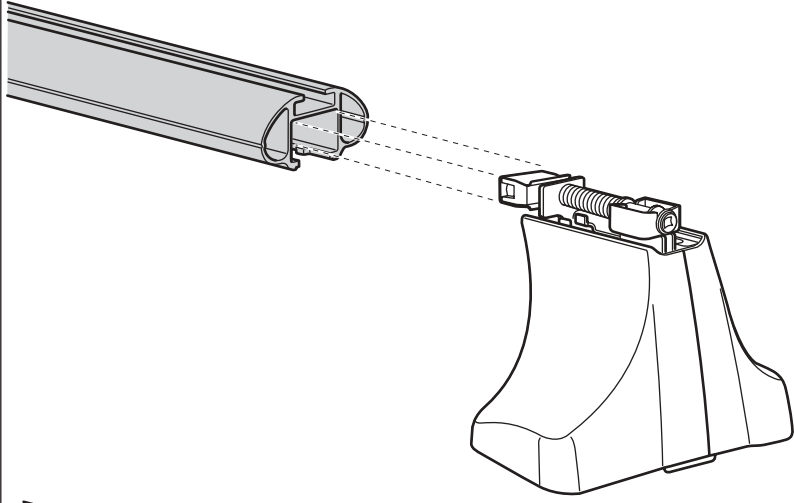
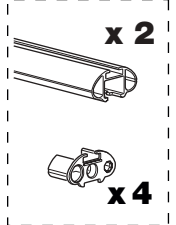
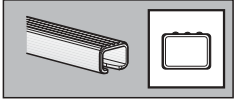
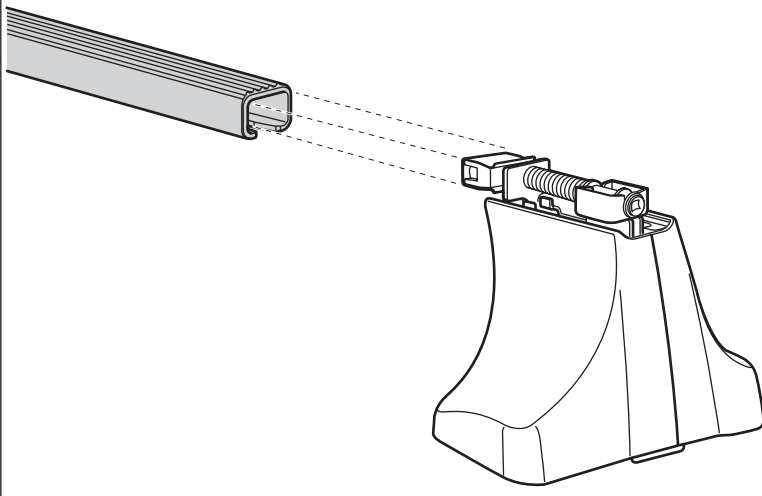
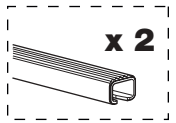
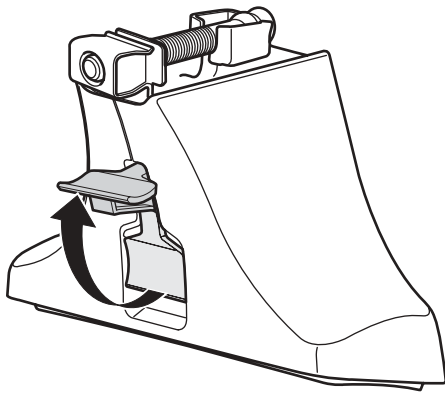
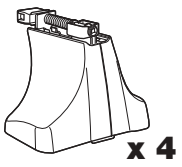
445•3DFBF/501-1086-07

THULE
CONCEPT

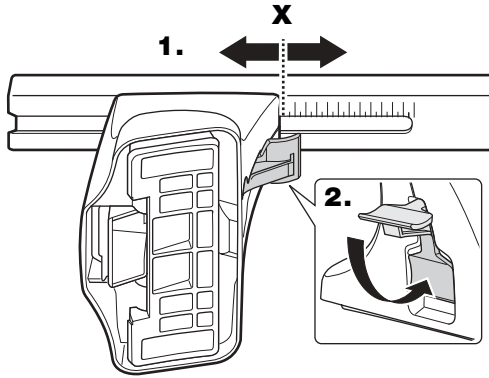
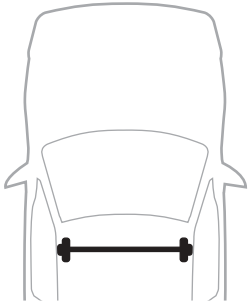
S: Säkerhetsföreskrifter
 GB: Safety regulations
 D: Sicherheits-Vorschriften
 F: Instructions importantes
 NL: Waarschuwingsoverzichten
 FIN: Turvallisuusohjeet
 E: Reglas de seguridad
 I: Norme di sicurezza
 CZ: Nápověď na montáž
 PL: Wykresy bezpieczeństwa
 PT: Normas de segurança
 GR: Απαιτήσεις Ασφάλειας
 TR: Güvenlik Kuralları
 HU: Biztonság előírások
 RU: Инструкция по безопасности
 HR: Pravila sigurnosti
 EST: Ohutusjuhised
 LIT: Saugumo taisyklės
 LAT: Drošības noteikumi
 SLO: Varnostni predpisi
 KOR: 안전 주의 사항
 THAI: ข้อควรระวังในการติดตั้ง
 中文: 安全注意



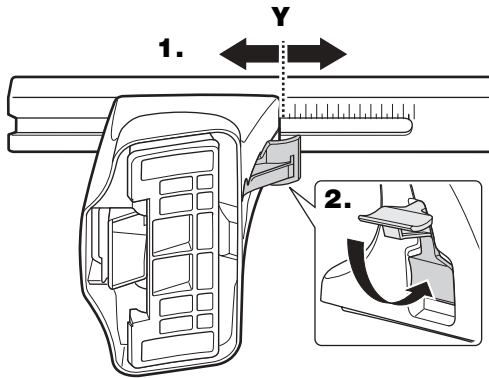
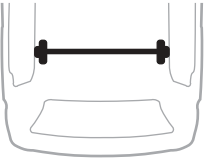
2



3

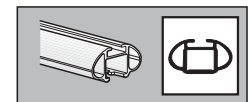
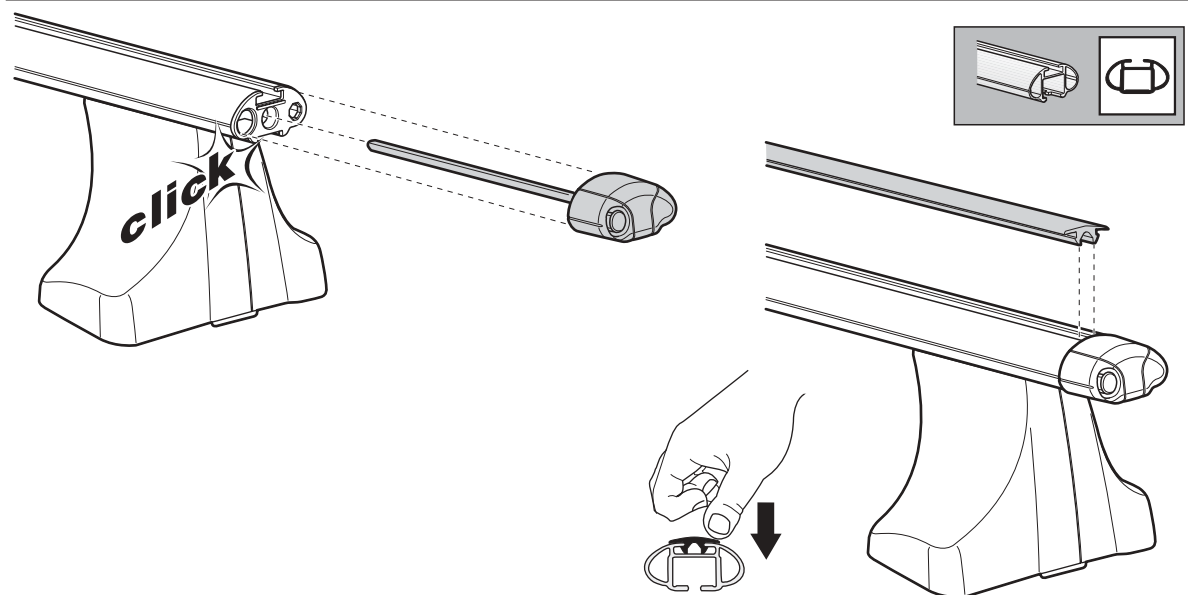
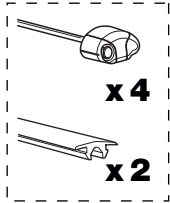
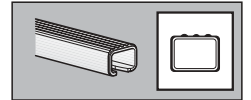
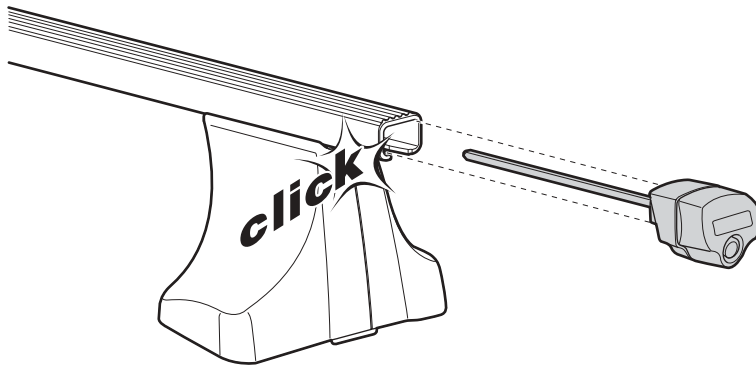
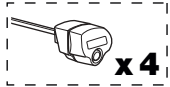


	X
NISSAN King Cab, 2-dr, 86-97	38
NISSAN King Cab, 2-dr, 98-01, 02-	37,5
NISSAN King Cab, 2-dr Extended Cab, 86-97	38
NISSAN King Cab, 2-dr Extended Cab, 98-01, 02-	37,5
NISSAN King Cab, 4-dr Double Cab, 86-97	38
NISSAN King Cab, 4-dr Double Cab, 98-01, 02-	38
NISSAN Pathfinder (WD21), 3-dr SUV, 86-96	38
NISSAN Pathfinder (WD21), 5-dr SUV, 89-96	37
NISSAN Terrano (WD21), 3-dr SUV, 86-96	37
NISSAN Terrano (WD21), 5-dr SUV, 86-96	37

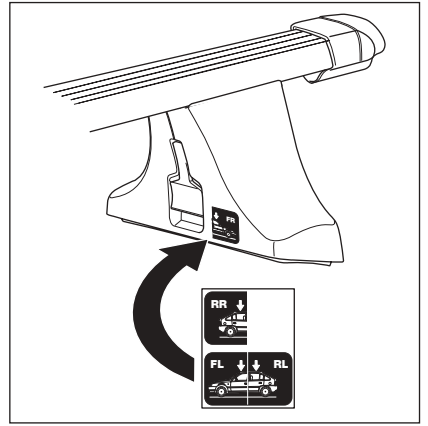
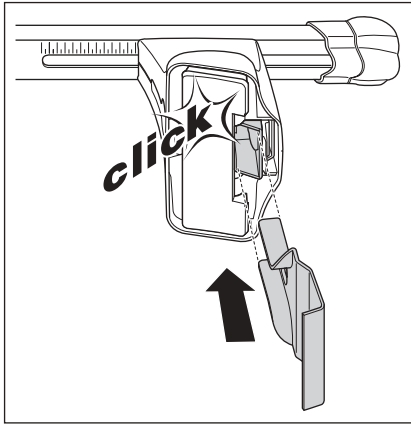
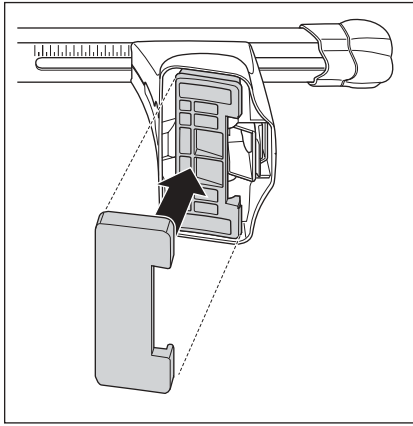


	Y
NISSAN King Cab, 2-dr, 86-97	-
NISSAN King Cab, 2-dr, 98-01, 02-	-
NISSAN King Cab, 2-dr Extended Cab, 86-97	-
NISSAN King Cab, 2-dr Extended Cab, 98-01, 02-	-
NISSAN King Cab, 4-dr Double Cab, 86-97	38
NISSAN King Cab, 4-dr Double Cab, 98-01, 02-	37,5
NISSAN Pathfinder (WD21), 3-dr SUV, 86-96	38
NISSAN Pathfinder (WD21), 5-dr SUV, 89-96	37
NISSAN Terrano (WD21), 3-dr SUV, 86-96	37
NISSAN Terrano (WD21), 5-dr SUV, 86-96	37

4

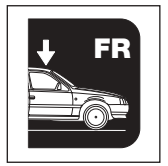
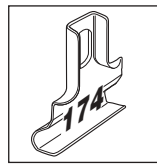
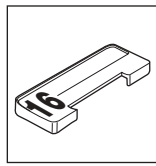
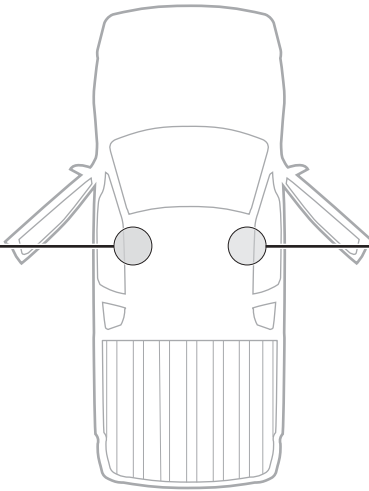
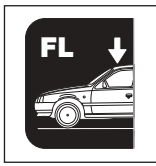
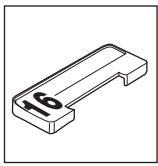


5



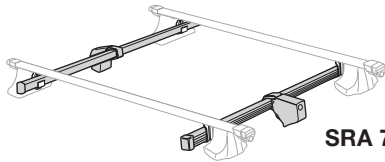
NISSAN King Cab, 2-dr, 86-97, 98-01, 02-

NISSAN King Cab, 2-dr Extended Cab, 86-97, 98-01, 02-

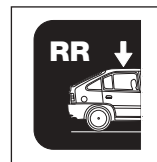
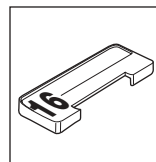
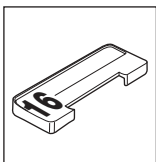
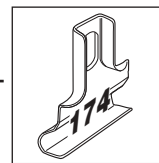
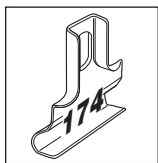
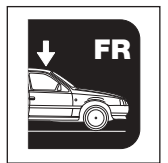
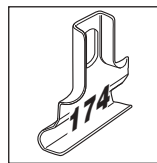
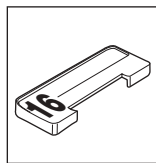
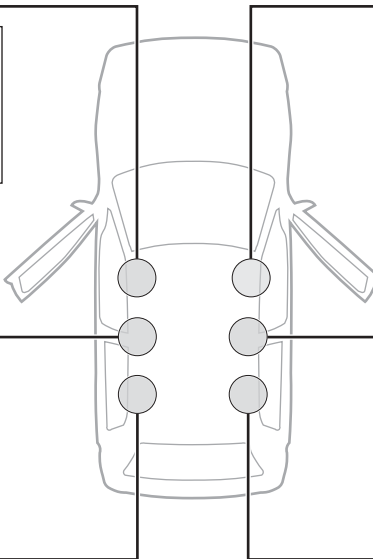
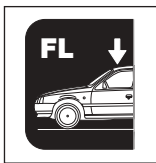
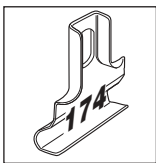
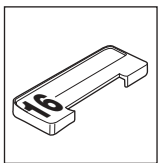


NISSAN Pathfinder (WD21), 3-dr SUV, 86-96

NISSAN Terrano (WD21), 3-dr SUV, 86-96

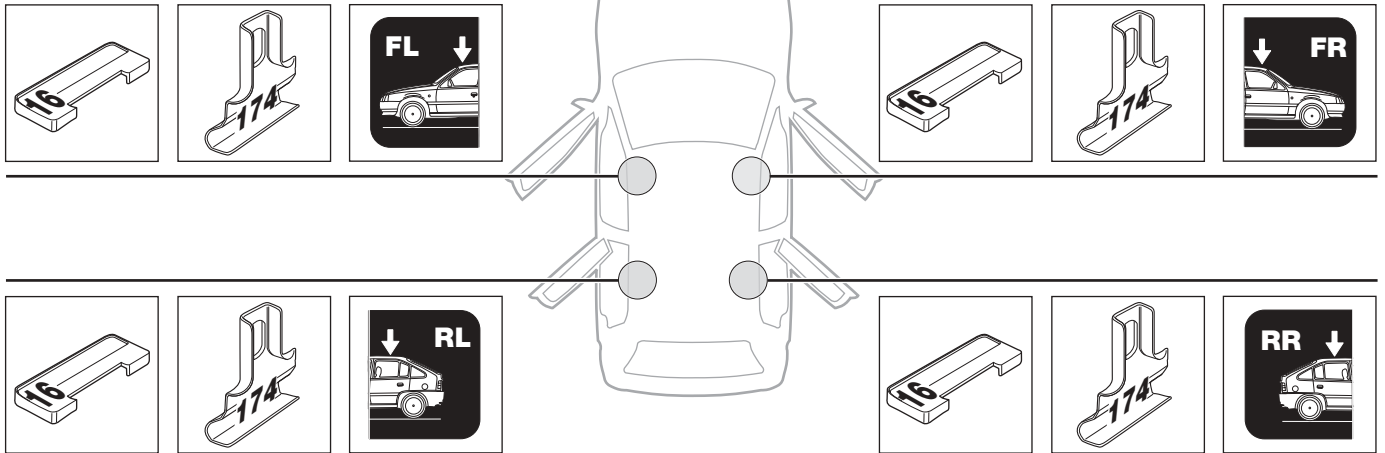


SRA 777

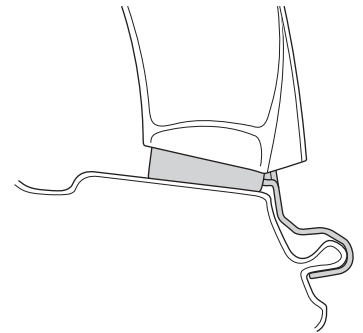
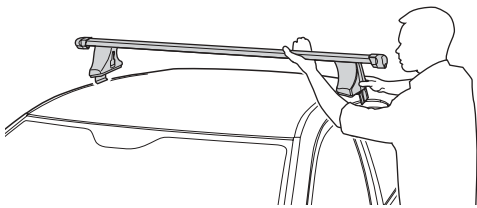


5

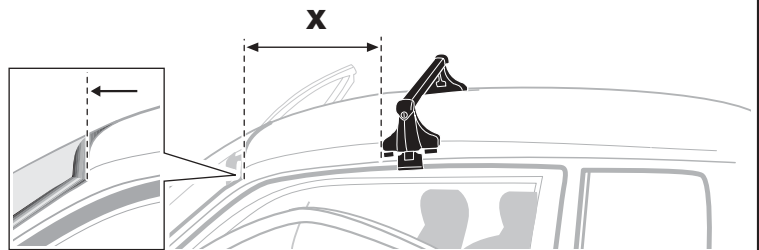
NISSAN King Cab, 4-dr Double Cab, 86-97, 98-01, 02-
NISSAN Pathfinder (WD21), 5-dr SUV, 86-96
NISSAN Terrano (WD21), 5-dr SUV, 86-96



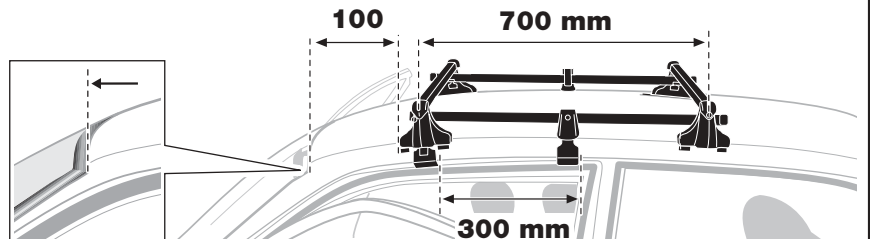
6



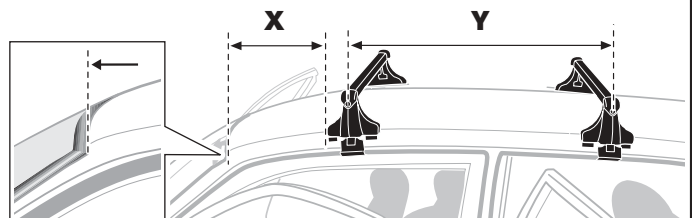
	X (mm)
NISSAN King Cab , 2-dr, 86-97	280
NISSAN King Cab , 2-dr, 98-01, 02-	260
NISSAN King Cab , 2-dr Extended Cab, 86-97	280
NISSAN King Cab , 2-dr Extended Cab, 98-01, 02-	245



NISSAN Pathfinder (WD21), 3-dr SUV, 86-96
NISSAN Terrano (WD21), 3-dr SUV, 86-96



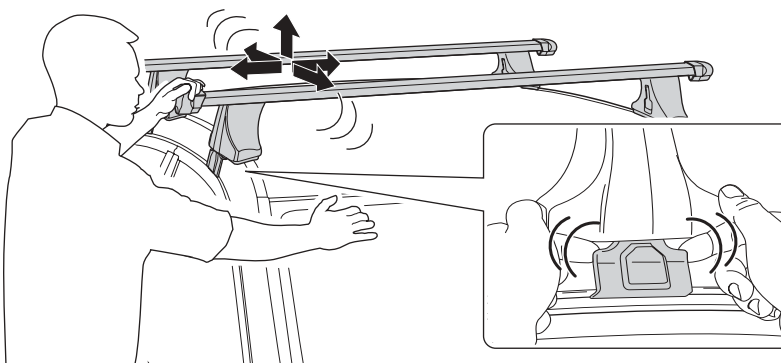
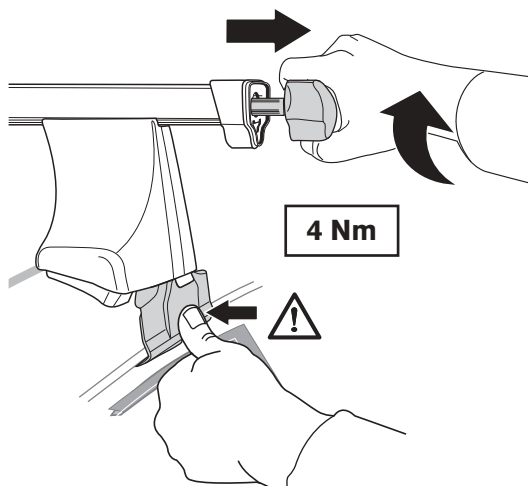
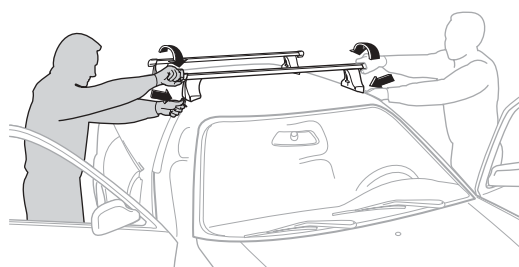
	X (mm)	Y (mm)
NISSAN King Cab , 4-dr Double Cab, 86-97	300	700
NISSAN King Cab , 4-dr Double Cab, 98-01, 02-	270	700
NISSAN Pathfinder (WD21) , 5-dr SUV, 89-96	420	700
NISSAN Terrano (WD21) , 5-dr SUV, 86-96	420	700



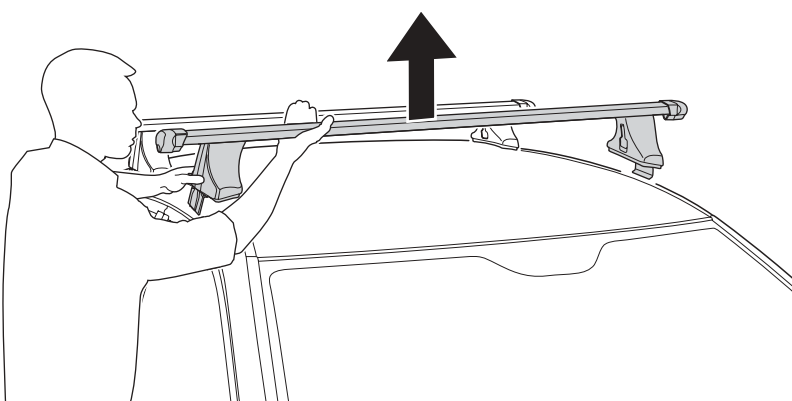
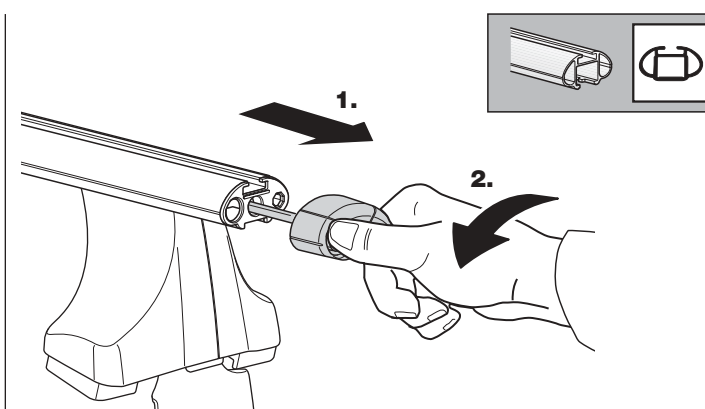
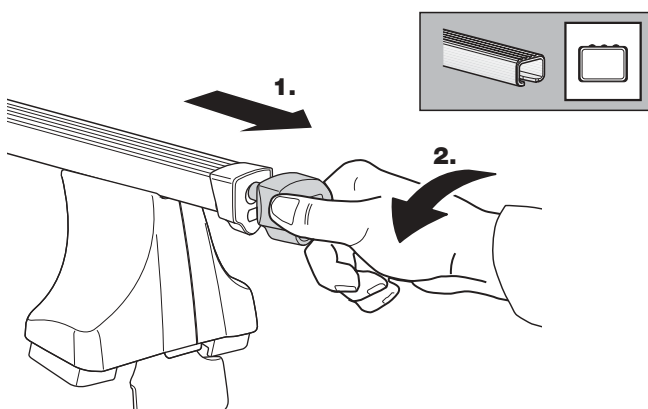
7

- S** Dra åt växelvis
- GB** Tighten alternately
- D** Die Schrauben abwechselnd anziehen.
- F** Serrer alternativement chaque côté
- NL** Afwisselend aan de linker- en de rechterkant aandraaien
- FIN** Kierrä vuorotellen
- E** Alternare il serraggio delle viti
- I** Serrare alternativamente

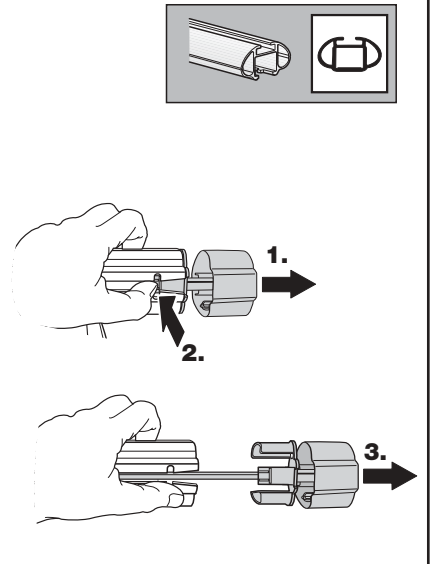
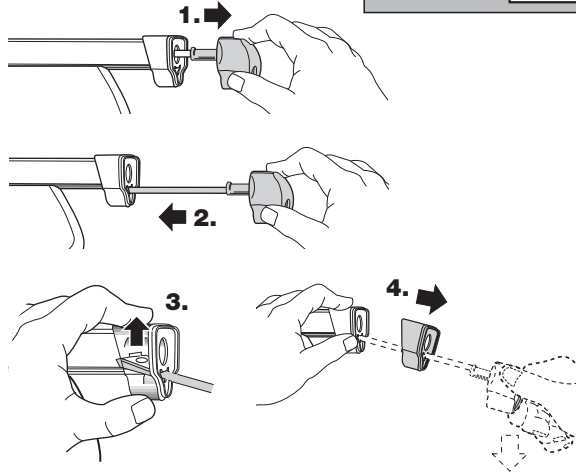
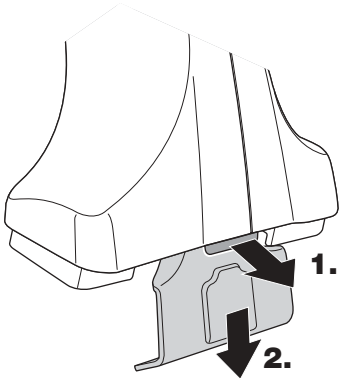
- CZ** Pokręta bagażnika dokręcaj dokręcaj naprzemiennie.
- PL** Śruby dokręcaj naprzemiennie
- HU** Egy mástól függetlenül szorítandó
- RU** Затягивайте попеременно
- EST** Pinguldage vaheldumisi
- SLO** Privijajte izmenično.
- 한국어 번갈아 가며 조이십시오.
- 日本語 交互に締め付けてください。
- 中文 交替拧紧



- Demonerung • Removal • Demontieren • Démontage • Demontage • Irrotus • Desmontaje • Rimozione • Odmontování • Wymontowywanie
- Leszerelés • Снятие • Eemaldamine • Odstranjanje • 분리 • 取り外し • 拆除



Fit Tips!



THULE
ONE
KEY
SYSTEM

