

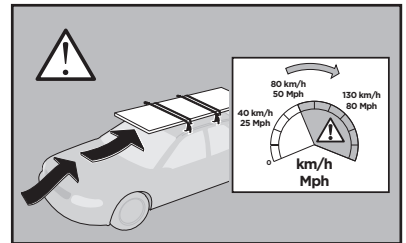
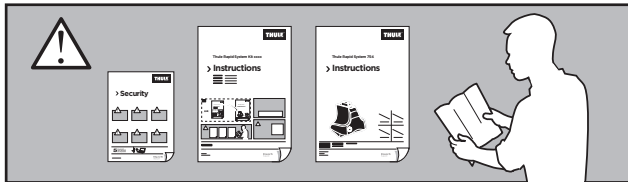
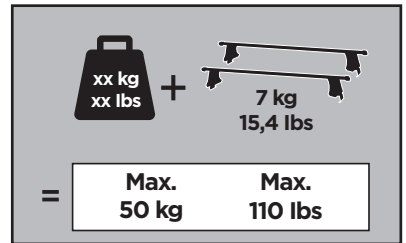
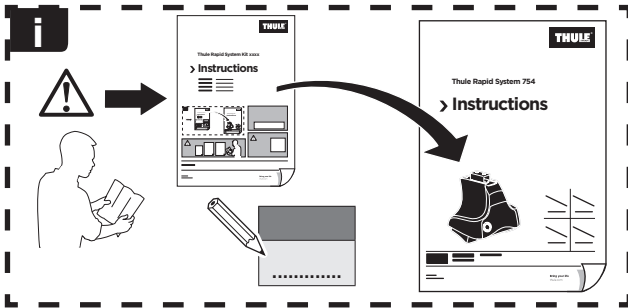
# Thule Rapid System Kit 1647

# > Instructions

**CHEVROLET Volt**, 4-dr Sedan, \*11-

**OPEL Ampera**, 4-dr Sedan, 11-

\*North America



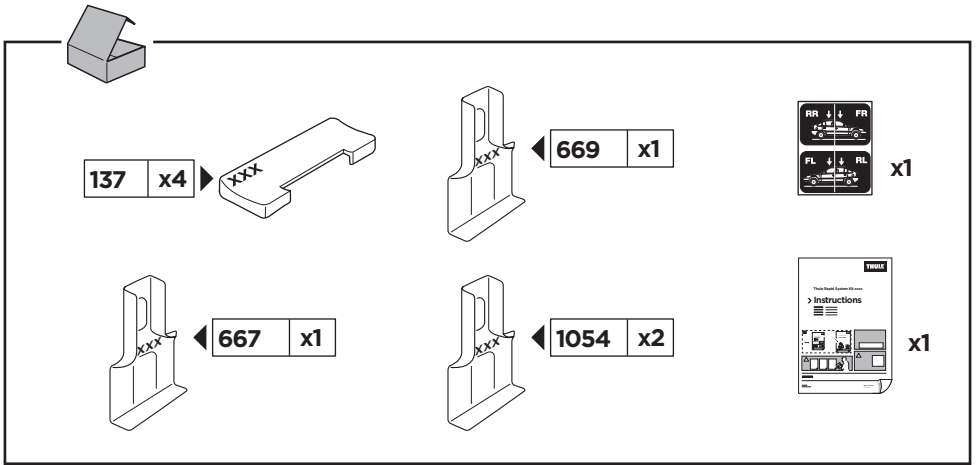
ISO 11154-E

**141647**

C.20130107  
519-1647-01

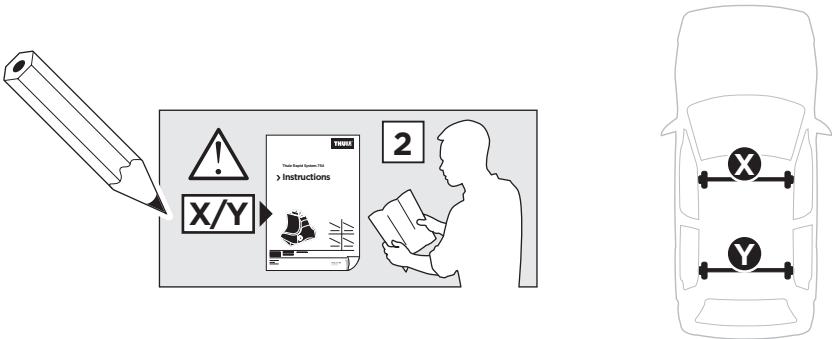
**Bring your life**

thule.com



# 1

|  | X (scale) | X (mm) | X (inch)                       |
|--|-----------|--------|--------------------------------|
| <b>CHEVROLET Volt</b> , 4-dr Sedan, *11- | 38,5      | 1036   | 40 <sup>3</sup> / <sub>4</sub> |
| <b>OPEL Ampera</b> , 4-dr Sedan, 11-     | 38,5      | 1036   | 40 <sup>3</sup> / <sub>4</sub> |

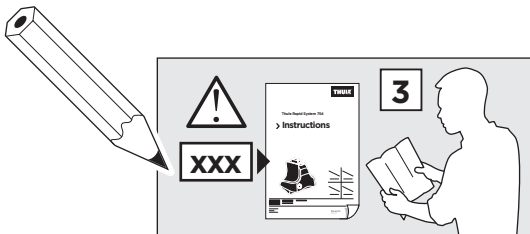
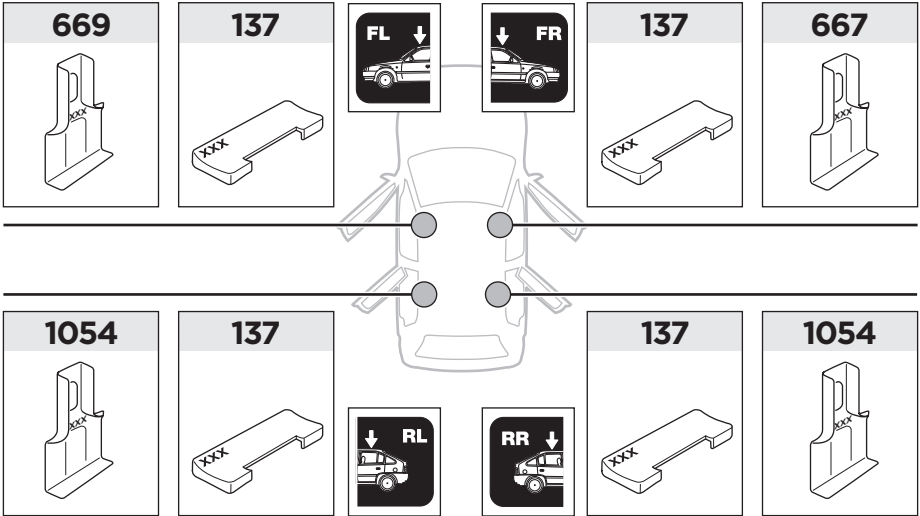


|  | Y (scale) | Y (mm) | Y (inch)                       |
|--|-----------|--------|--------------------------------|
| <b>CHEVROLET Volt</b> , 4-dr Sedan, *11- | 37        | 1021   | 40 <sup>1</sup> / <sub>4</sub> |
| <b>OPEL Ampera</b> , 4-dr Sedan, 11-     | 37        | 1021   | 40 <sup>1</sup> / <sub>4</sub> |

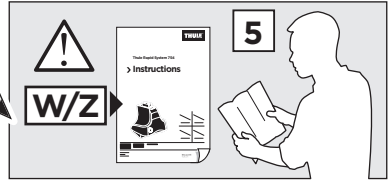
**2**

**CHEVROLET Volt**, 4-dr Sedan, \*11-

**OPEL Ampera**, 4-dr Sedan, 11-



**3**



|  | W (mm)     | Z (mm)     | W (inch)  | Z (inch)      |
|--|------------|------------|-----------|---------------|
| <b>CHEVROLET Volt</b> , 4-dr Sedan, *11- | <b>254</b> | <b>622</b> | <b>10</b> | <b>24 1/2</b> |
| <b>OPEL Ampera</b> , 4-dr Sedan, 11-     | <b>254</b> | <b>622</b> | <b>10</b> | <b>24 1/2</b> |

