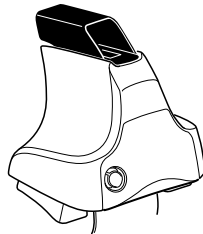
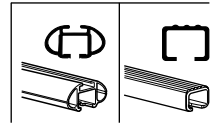


# Kit 1696

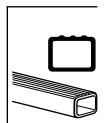
MITSUBISHI Mirage, 5-dr Hatchback, 12-




754 Rapid System  
480R Rapid Traverse (North America)


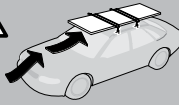



480 Traverse (North America)


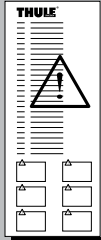



 $xx \text{ kg} + 7 \text{ kg} =$   
 $xx \text{ lbs} + 15,4 \text{ lbs} =$



**Max. 40 kg**  
**Max. 88 lbs**

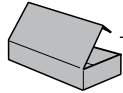










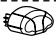
**Kit XXXX**  
 instructions

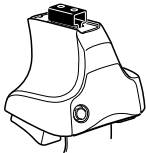




**x1**



**x4**  
 754 Rapid System





**x4**  
 480R Rapid Traverse (North America)


**x4**

**x4**

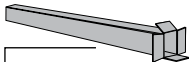
**754 Rapid System**  
**480R Rapid Traverse (North America)**


---



**x1**



**x4**

**x4**

**x4**

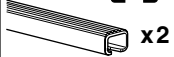
**480 Traverse (North America)**






**x2**



**x2**



**x1**

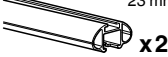

**x2**



**x2**



**x2**



**x2**

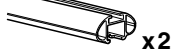

**x2**

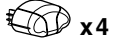

**x2**


**x2**

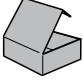

**x2**



**x4**

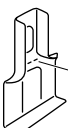

**x2**

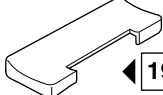

**x4**

(North America)




**1168 x2**

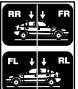

**1169 x2**


**191 x1**

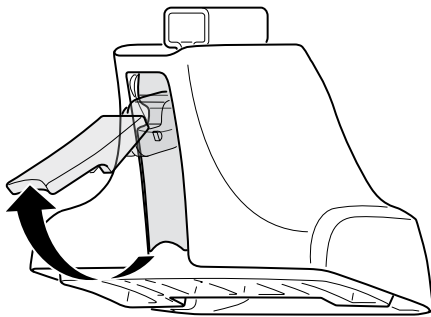
**192 x1**

**364 x1**

**365 x1**


**x1**

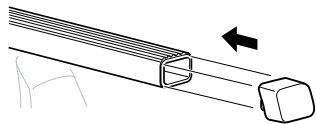
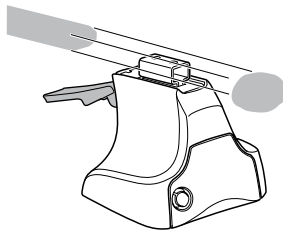
1



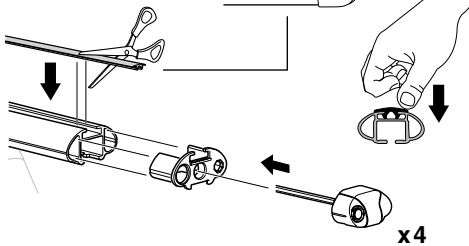
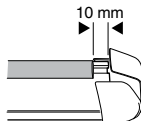
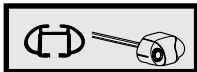
2



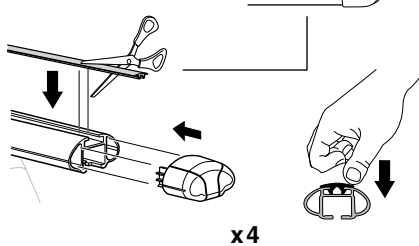
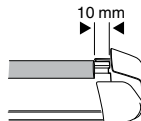
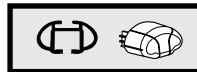
754 Rapid System  
480R Rapid Traverse  
(North America)



x4



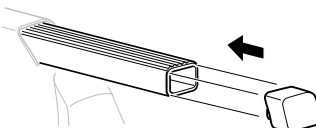
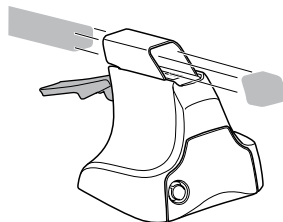
x4



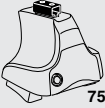
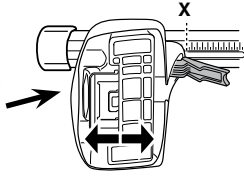
x4



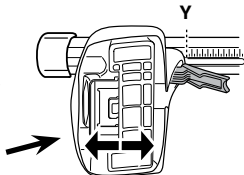
480 Traverse  
(North America)



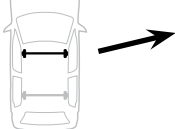
x4

**3****754** Rapid System

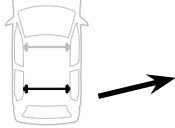
	<b>X</b>
<b>MITSUBISHI Mirage, 5-dr Hatchback, 12-</b>	<b>40</b>



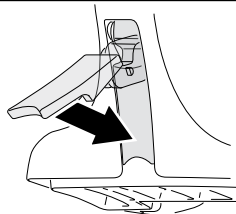
	<b>Y</b>
<b>MITSUBISHI Mirage, 5-dr Hatchback, 12-</b>	<b>32,5</b>

**3****480R** Rapid Traverse**480** Traverse**(North America)**

	<b>X inch</b>	<b>X mm</b>
<b>MITSUBISHI Mirage, 5-dr Hatchback, 12-</b>	<b>41 <sup>3</sup>/<sub>8</sub>"</b>	<b>1051 mm</b>

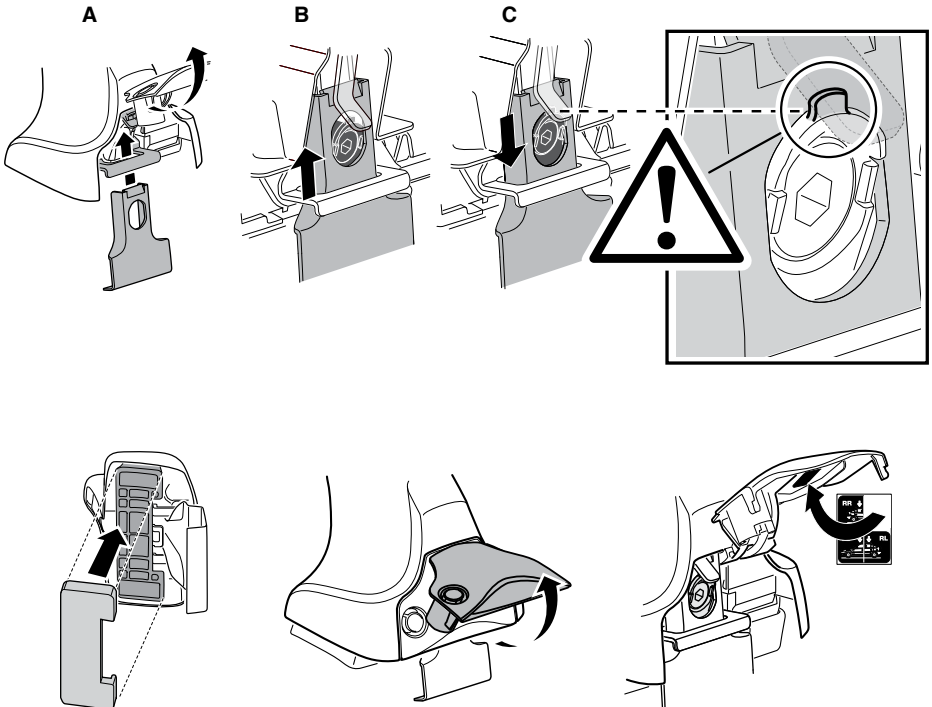
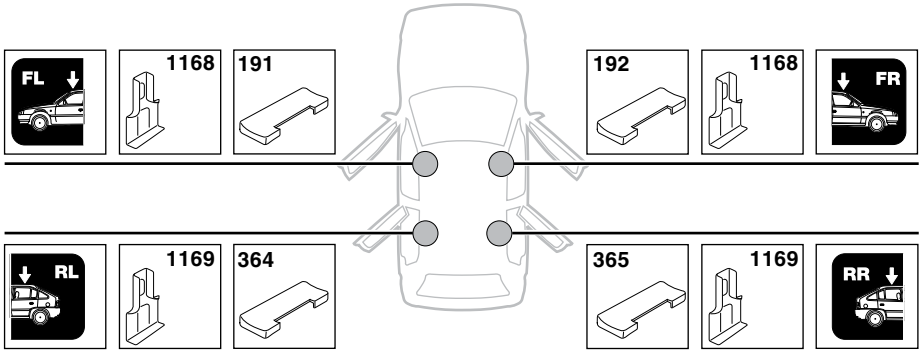


	<b>Y inch</b>	<b>Y mm</b>
<b>MITSUBISHI Mirage, 5-dr Hatchback, 12-</b>	<b>38 <sup>3</sup>/<sub>8</sub>"</b>	<b>976 mm</b>

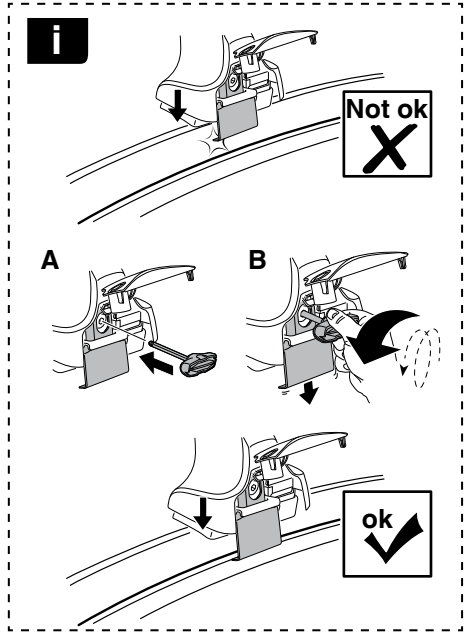
**4**

# 5

MITSUBISHI Mirage, 5-dr Hatchback, 12-

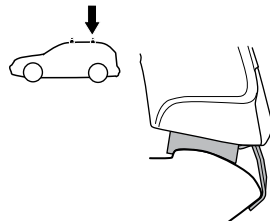
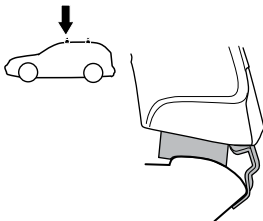
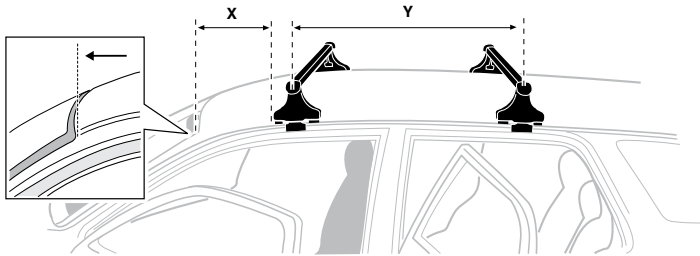


6

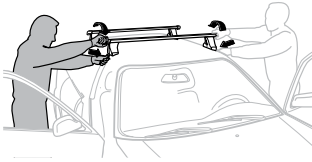


MITSUBISHI Mirage, 5-dr Hatchback, 12-

X mm	Y mm	X inch	Y inch
195 mm	720 mm	7 5/8"	28 3/8"



7



GB/US Tighten alternately  
 D Die Schrauben abwechselnd anziehen  
 F Serrer alternativement chaque côté  
 NL Afwisselend aan de linker- en de rechterkant aandraaien  
 I Alternare il serraggio delle viti  
 E Apertar alternativamente  
 PT Aperte alternadamente  
 S Dra åt växelvis  
 FIN Kierrä vuorotellen  
 EST Pinguldage vaheldumisi  
 LAT Pieļieciet pamišus  
 LIT Užsukinėkite pakaitomis  
 PL Śruby dokręcaj naprzemiennie  
 RU Затягивайте попеременно

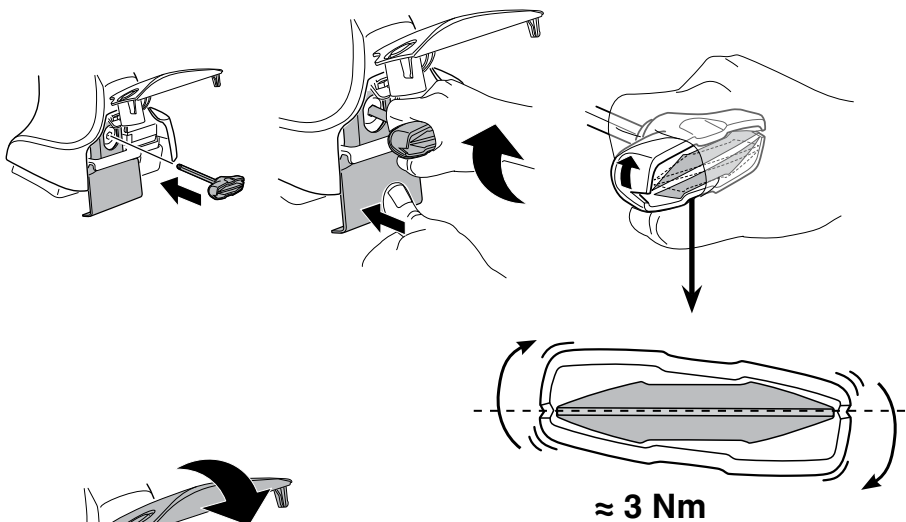
CZ Pokręťta bagażnika dokręcaj dokręcaj naprzemiennie.  
 SK Dofahajte striedavo  
 SLO Privijajte izmenično.  
 HR Naizmjenično zategnite  
 HU Egymástól függetlenül szorítandó  
 GR Σφιγίγτες εναλλάξ  
 TR Dönüşümlü sıkın

中文 交替拧紧

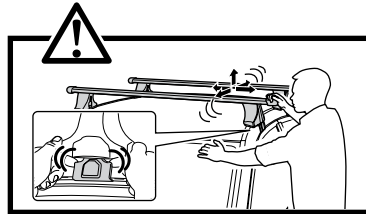
한국어 번갈아 가며 조이십시오.

日本語 交互に締め付けてください。

ไทย ชันในแบบสลับ



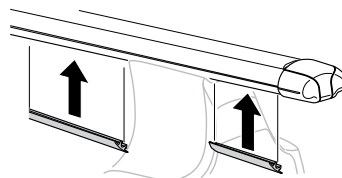
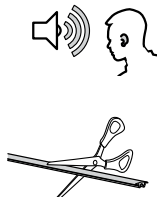
≈ 3 Nm

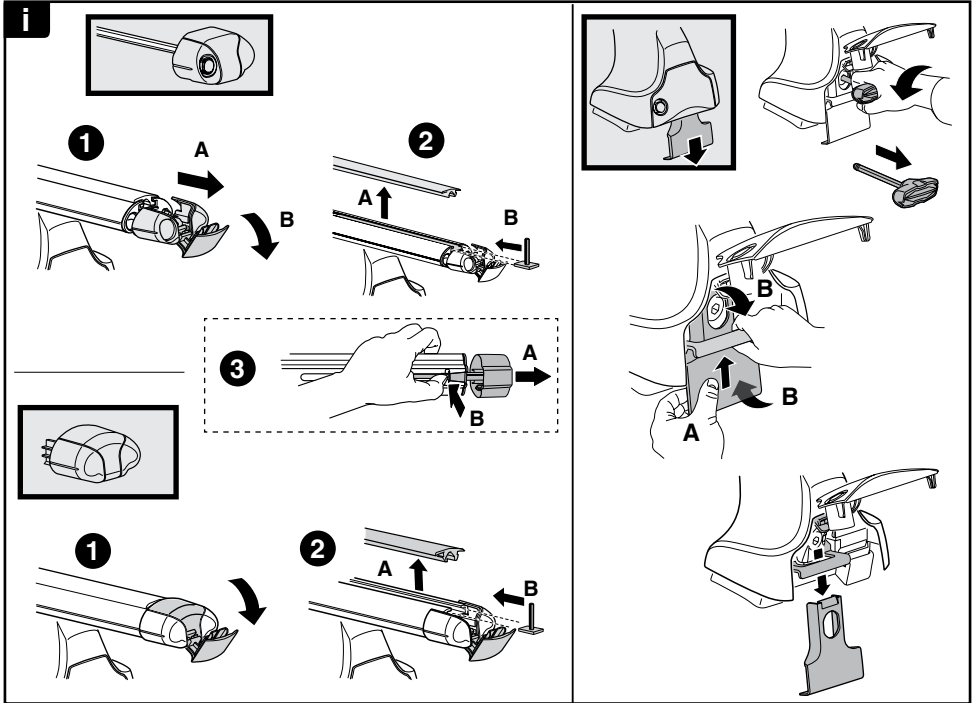


8

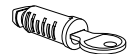
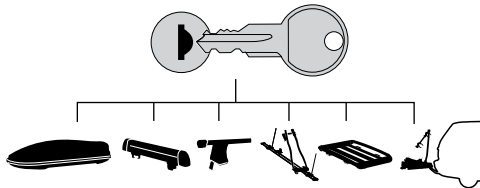


x1  
17 mm





**THULE**  
SWEDEN  
**ONE  
KEY  
SYSTEM**



**544** (x4)

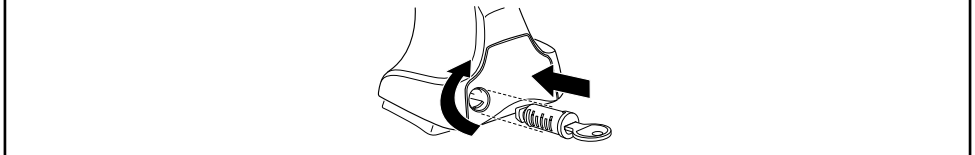
**596** (x6)

**588** (x8)

NA **510** (x10)

EUR **452** (x12)

ASIA



WW ▶ Thule Sweden AB, Box 69, 330 33 Hillerstorp, SWEDEN

NA ▶ Thule Inc., 42 Silvermine Road, Seymour, Connecticut 06483, USA

info@thule.com

customer.service@thule.com



www.thule.com

503-1696-01