

Kit 3080

MAZDA 5, 5-dr MPV, 04–

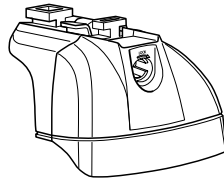
MAZDA 5, 5-dr Hatchback, *06–

MAZDA Biante, 5-dr MPV, 08–

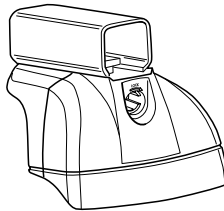
MAZDA Premacy, 5-dr MPV, 04–

*North America

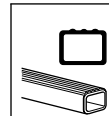
This Kit is only for vehicles with fixpoint mounting.



**460R
753**



460



Kit



753



x4



x4



x4



x8



x1

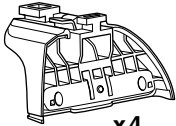


x4



x1

460R



x4



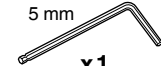
x4



x4



x8



x1



x4

460



x4



x4



x4



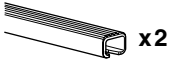
x8



x1



x4

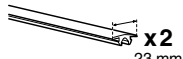


x2



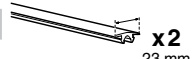
x2

17 mm



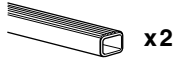
x2

23 mm

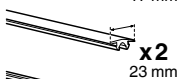


x2

23 mm

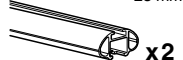


x2

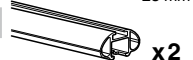


x2

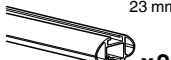
23 mm



x2



x2



x2



x4

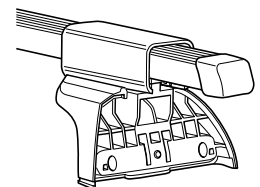
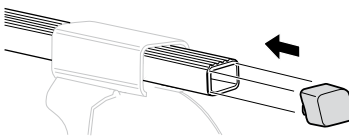
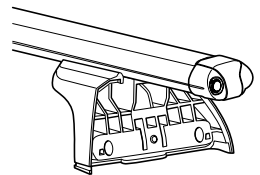
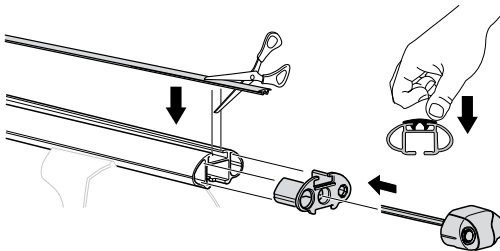
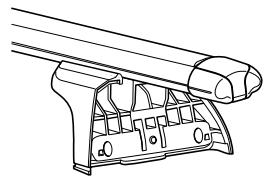
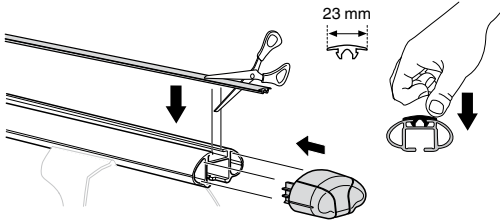
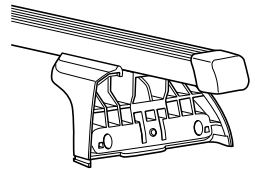
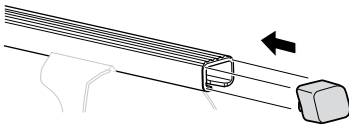
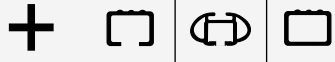


x4

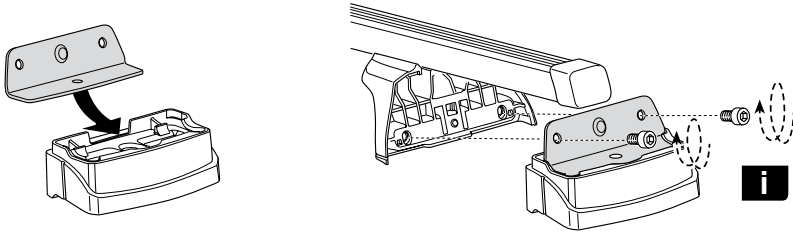
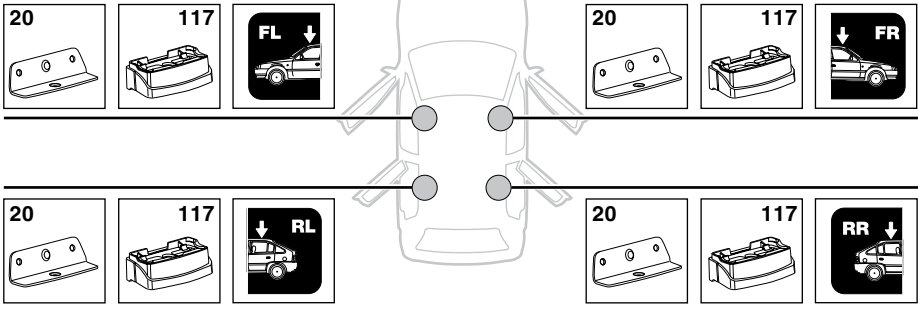
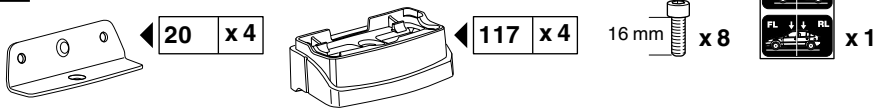


x4

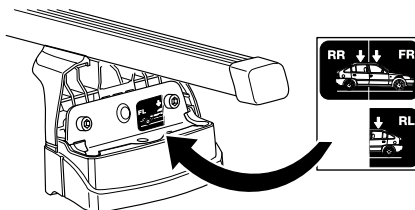
1



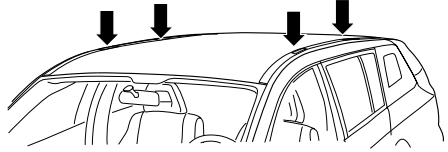
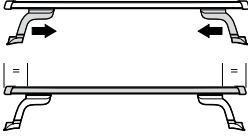
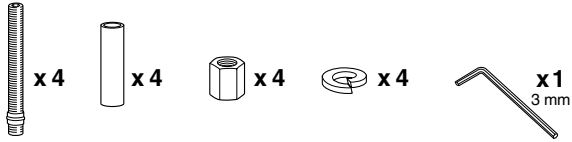
2



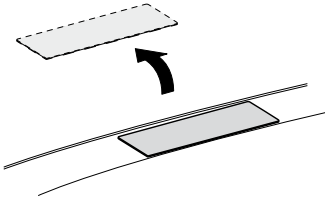
i	GB Only a few turns	EST Ainult mõni pööre	HR Samo nekoliko okreta
	D Nur wenige Umdrehungen	LAT Tikai dažī apgriezieni	HU Csak néhány fordítás
	F Quelques tours uniquement	LIT Tik keli pasukimai	GR Μόνο μερικές στροφές
	NL Slechts enkele slagen	PL Wystarczy kilka obrotów	TR Yalnız birkaç kez çevirm
	I Solo qualche giro	RU Достаточно нескольких оборотов	中文 只有几个转向
	E Sólo algunas vueltas	CZ Pouze několik otáčec	한국어 두 세번만
	PT Noções básicas	SK Len niekoľko otáčok	日本語 数回転のみ
	S Endast några varv	SLO Le nekaj obratov	ไทย หมุนเพียงไม่กี่รอบ
	FIN Vain muutama kierros		



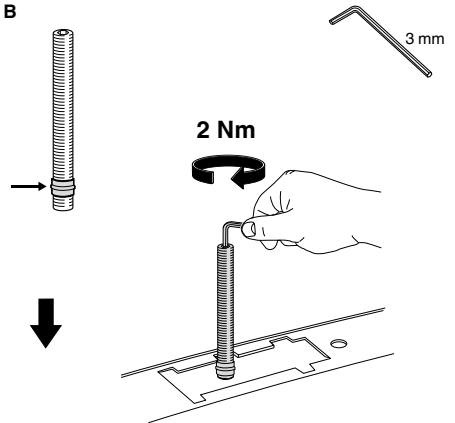
3



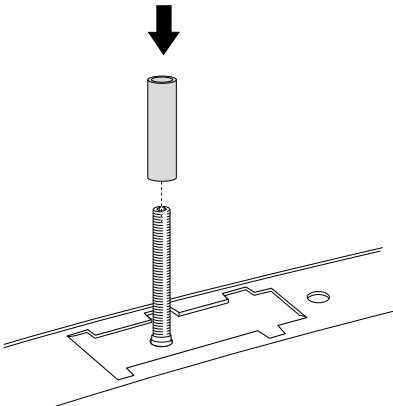
A



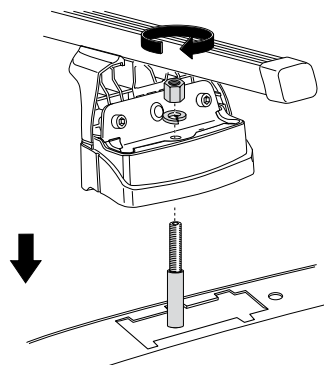
B

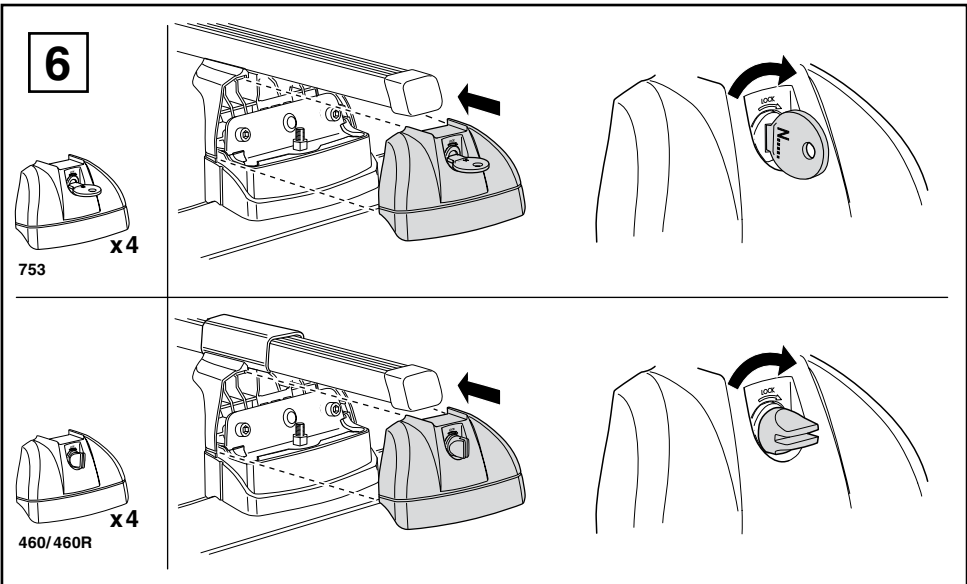
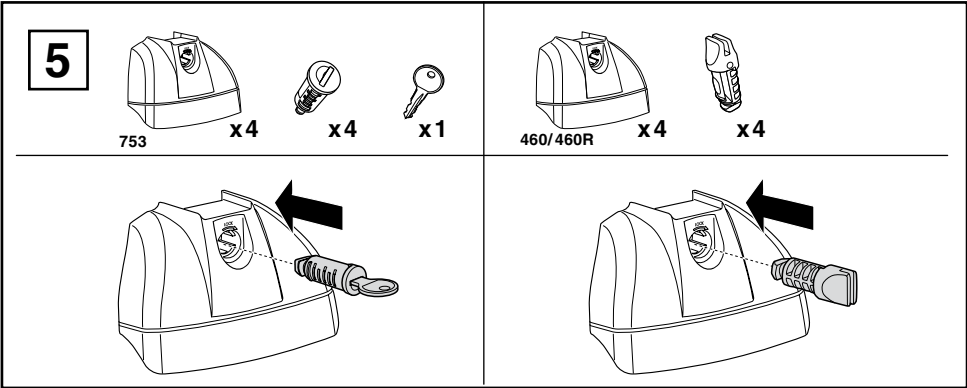
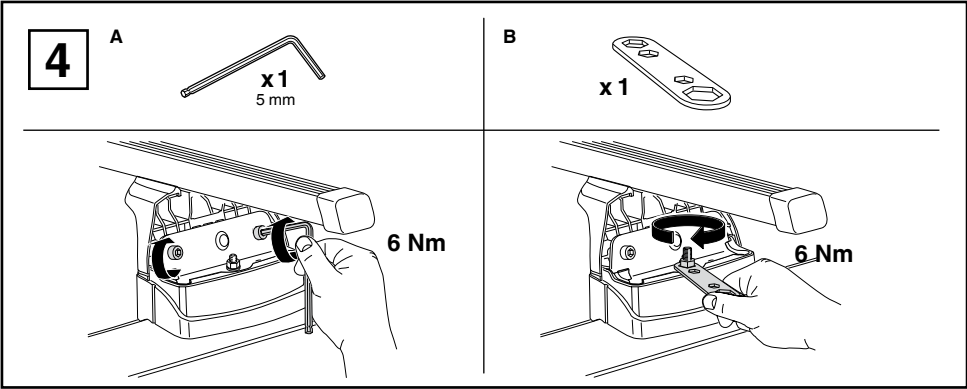


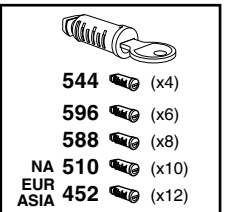
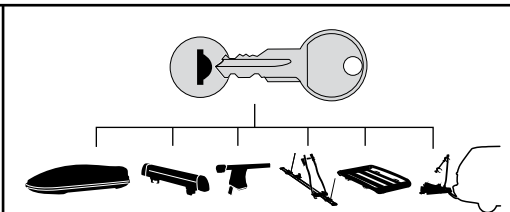
C



D







WW ▶ Thule Sweden AB, Box 69, 330 33 Hillerstorp, SWEDEN

NA ▶ Thule Inc., 42 Silvermine Road, Seymour, Connecticut 06483, USA

@ info@thule.com
customer.service@thule.com

www.thule.com