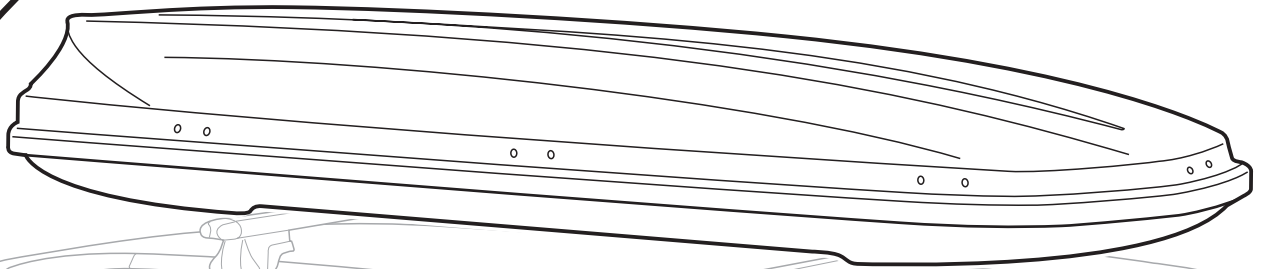


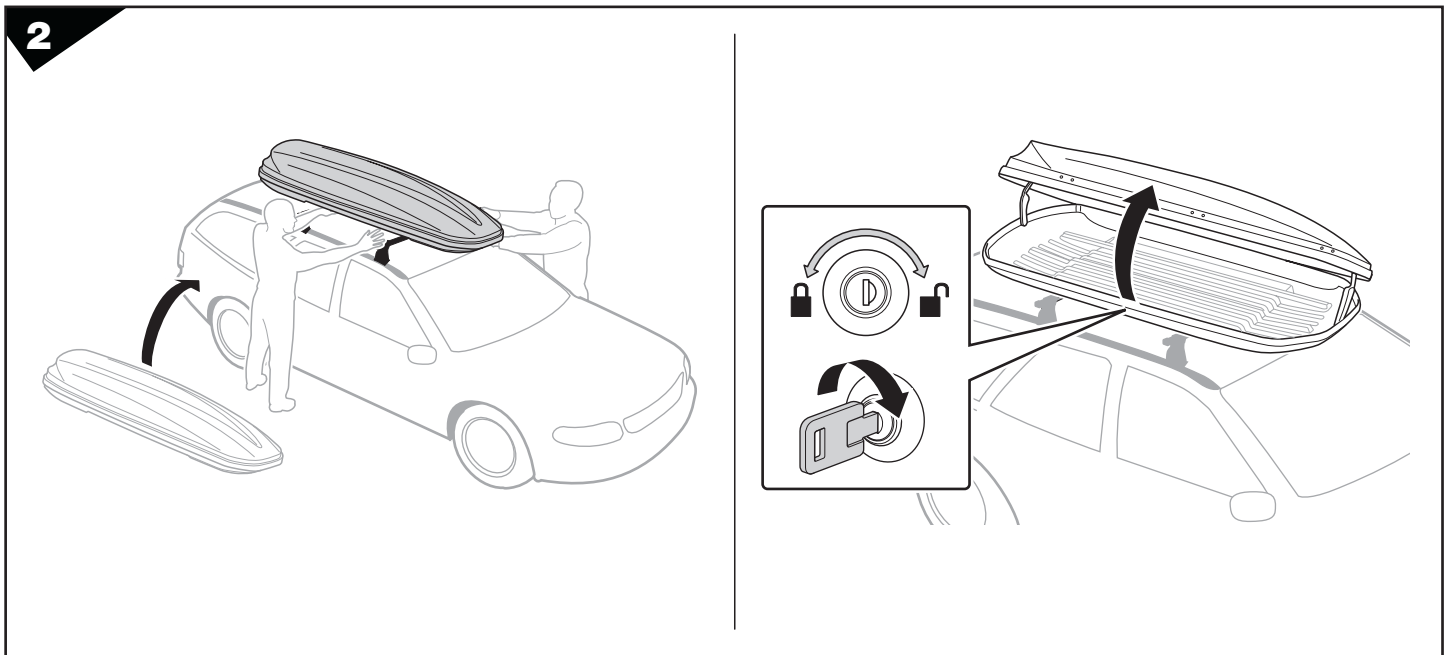
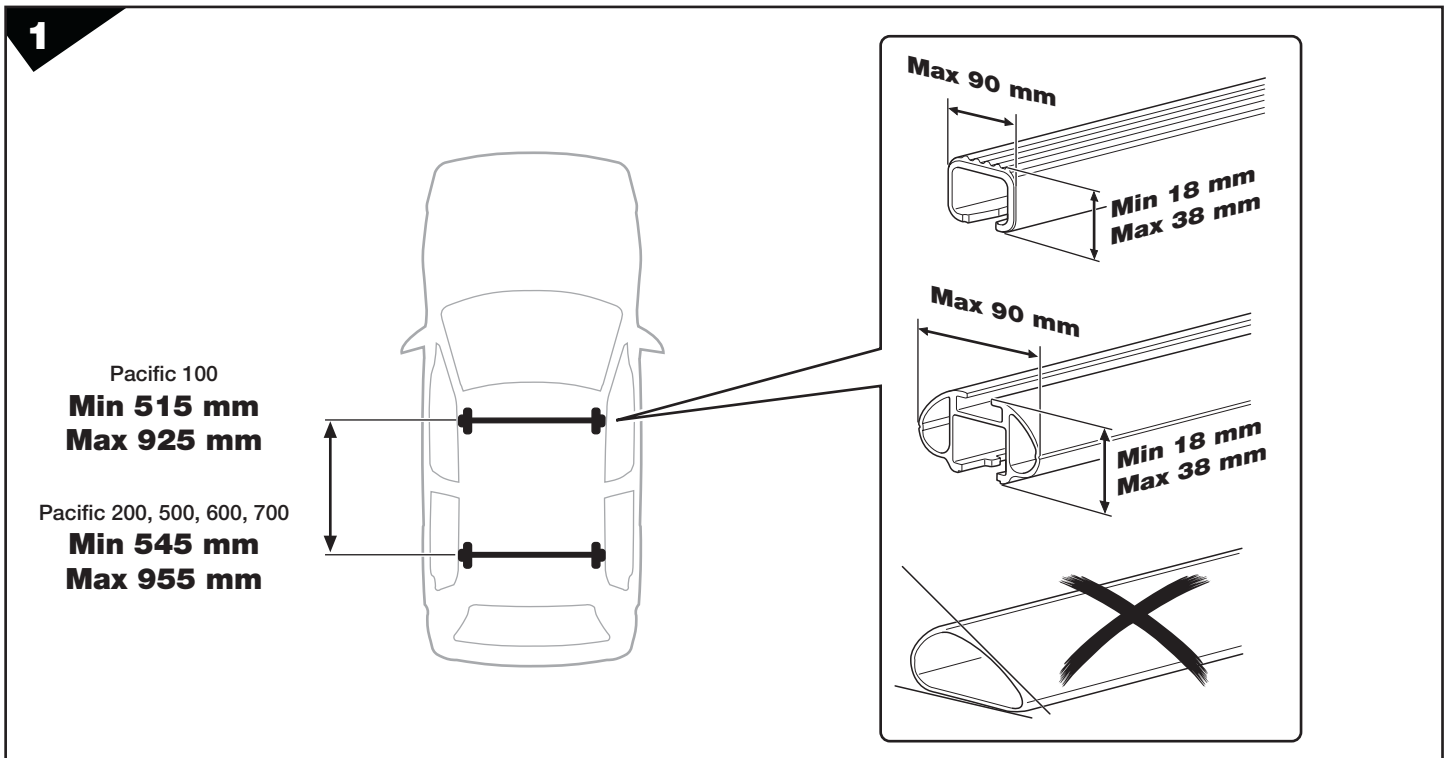
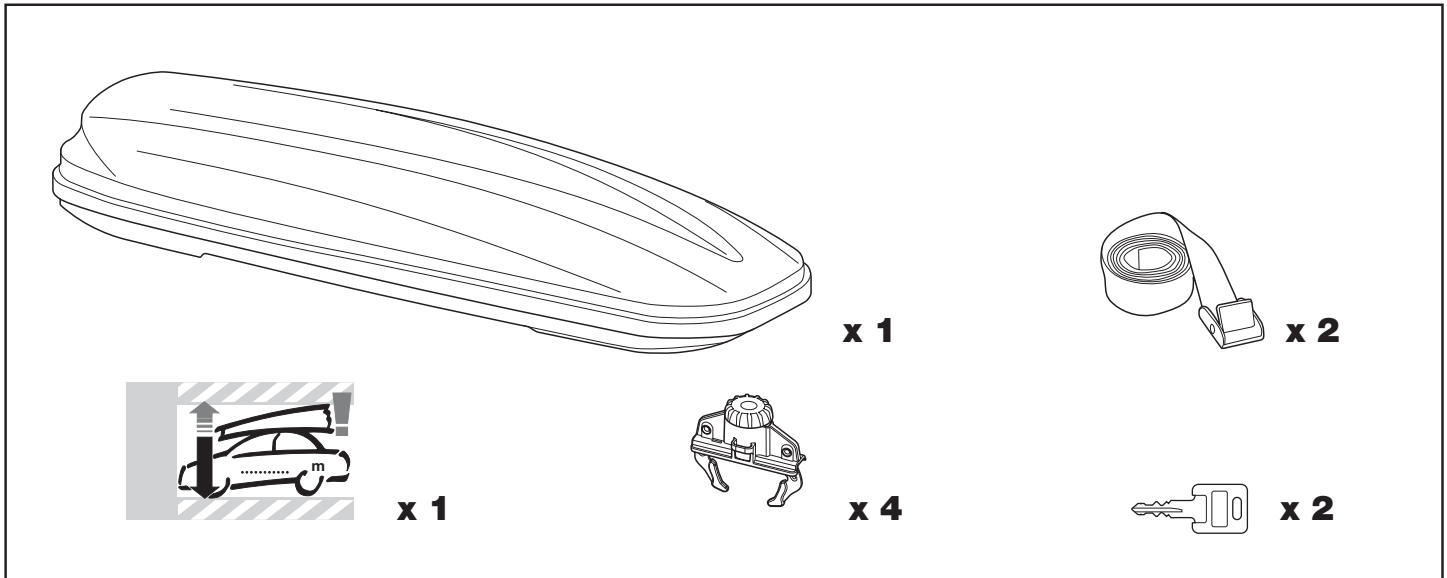
GB Fitting instructions
D Montageanleitung
F Instructions de montage
NL Montage-instructies
I Istruzioni per il montaggio
E Instrucciones de montaje
PT Instruções de Montagem
S Monteringsanvisning
FIN Asennusohje
EST Paigaldusjuhend
LAT Stiprināšanas instrukcija
LIT Pritvirtinimo instrukcijos
PL Instrukcja montażu
RU Инструкции по установке
CZ Návod na montáž

SK Návod na montáž
SLO Navodila za pritrjevanje
HR Uputa za sastavljanje
HU A felszerelés módja
GR Οδηγίες συναρμολόγησης
TR Montaj talimatları
中文 安装说明
日本語 取扱(取付)説明書
한국어 장착 지침
ไทย คำแนะนำการติดตั้ง

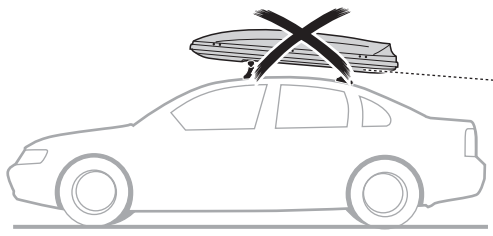
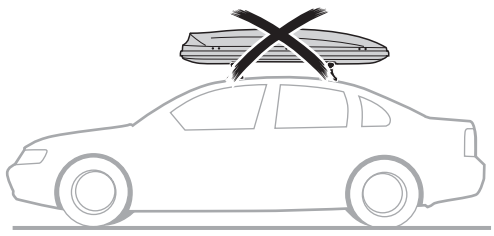
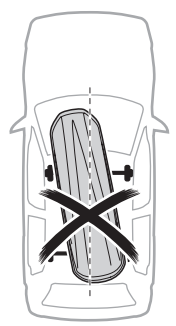
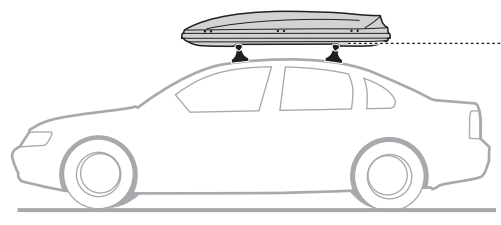
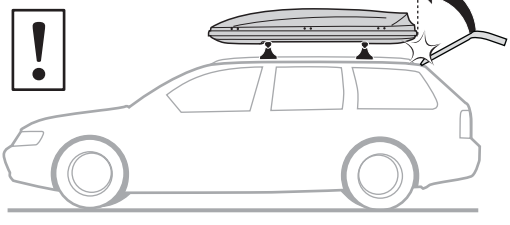
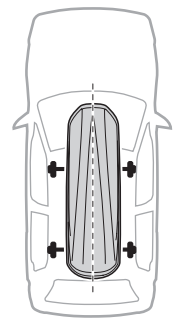
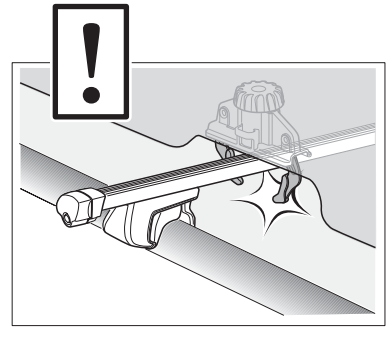
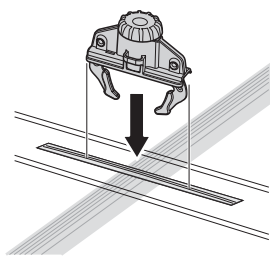
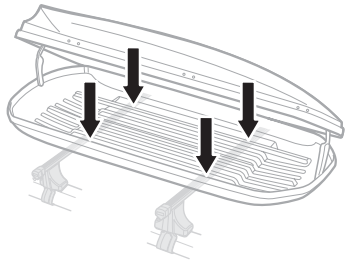
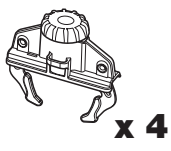


Pacific
100, 200, 500, 600, 700

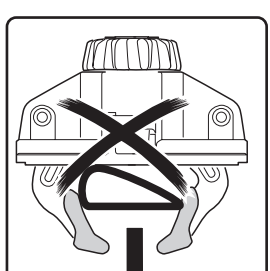
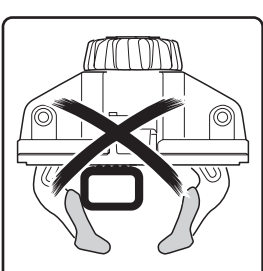
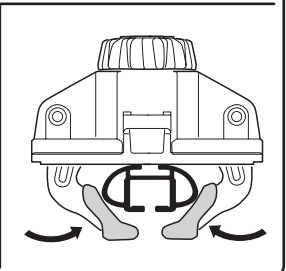
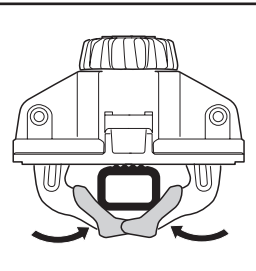
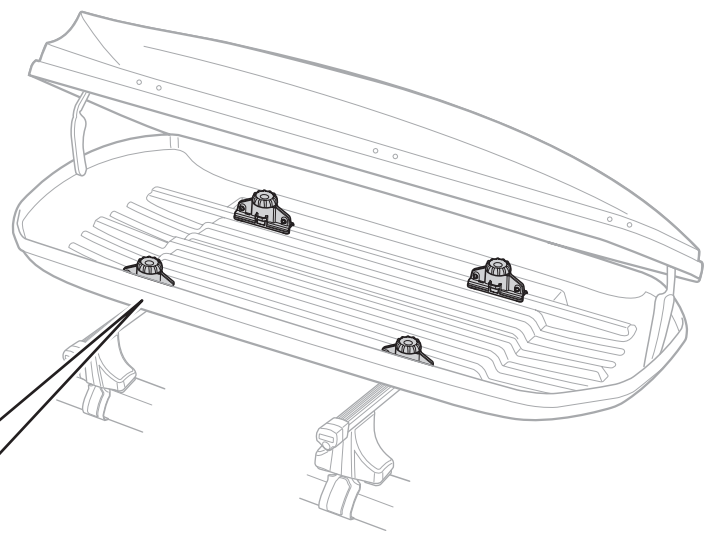
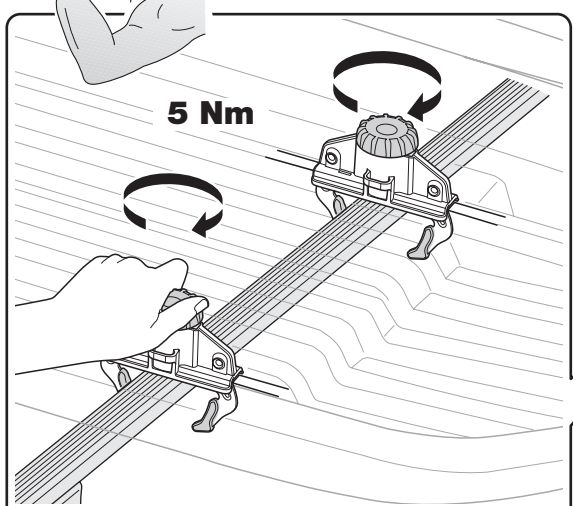
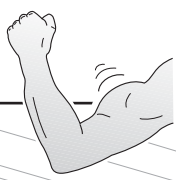
Follow me...



3



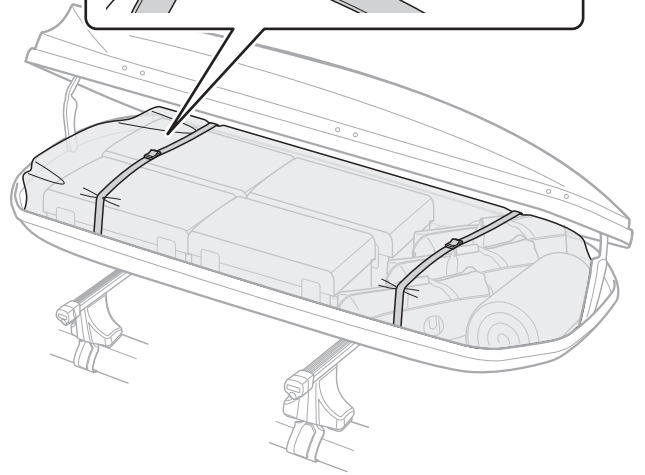
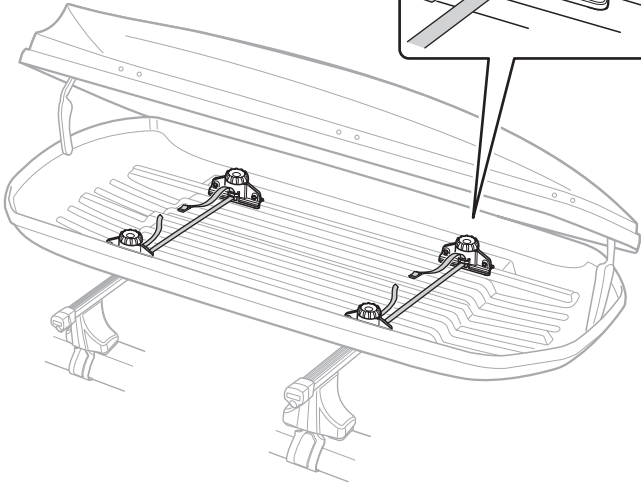
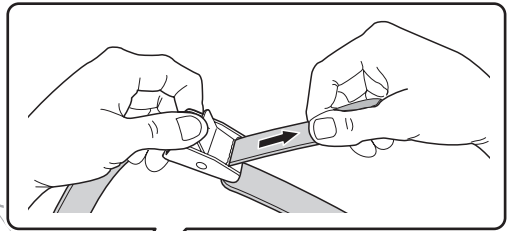
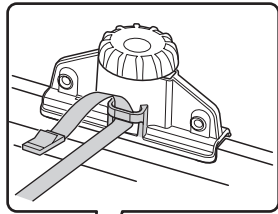
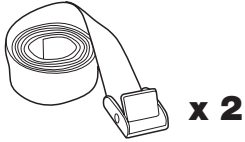
4



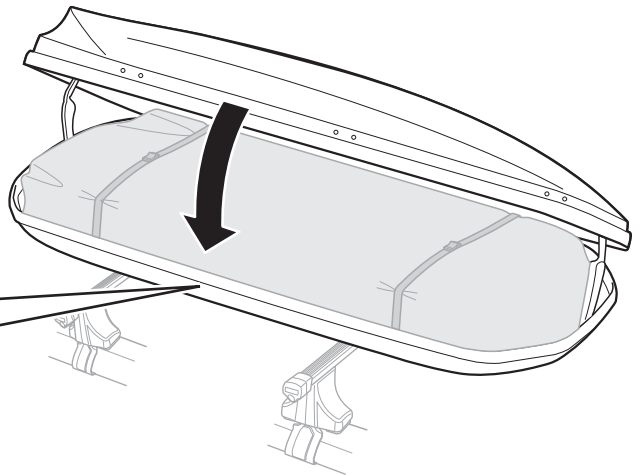
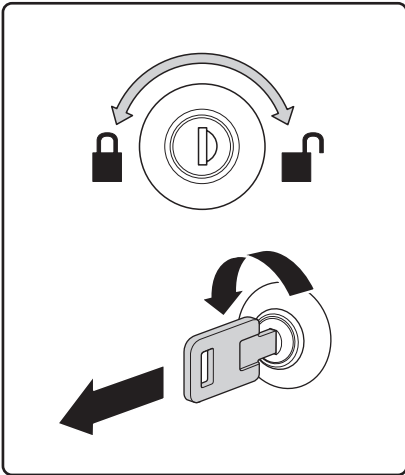
Thule T-Nut Adapter

696400
697400

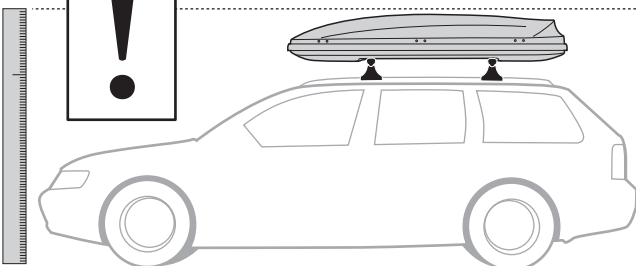
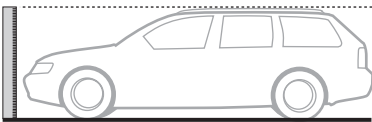
5



6



7



XX m



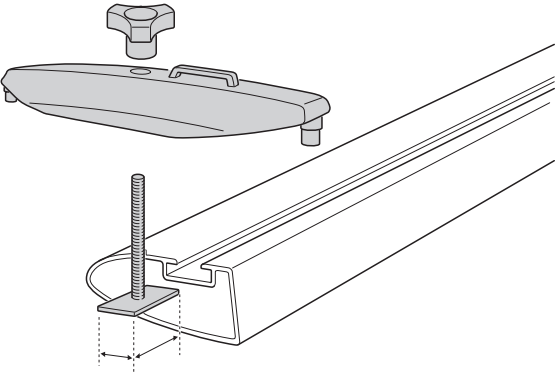
GB Accessories
D Zubehör
F Accessoires
NL Accessoires
I Accessori
E Accesorios
PT Acessórios

S Tillbehör
FIN Lisävarusteet
EST Lisavarustus
LAT Piederumi
LIT Priedai
PL Akcesoria
RU Аксессуары

CZ Doplnky
SK Príslušenstvo
SLO Dodatki
HR Dodaci
HU Tartozékok
GR Παρελκόμενα
TR Aksesuarlar

中文 附件
 日本語 付属品
 한국어 액세서리
 ไทย อุปกรณ์เสริม

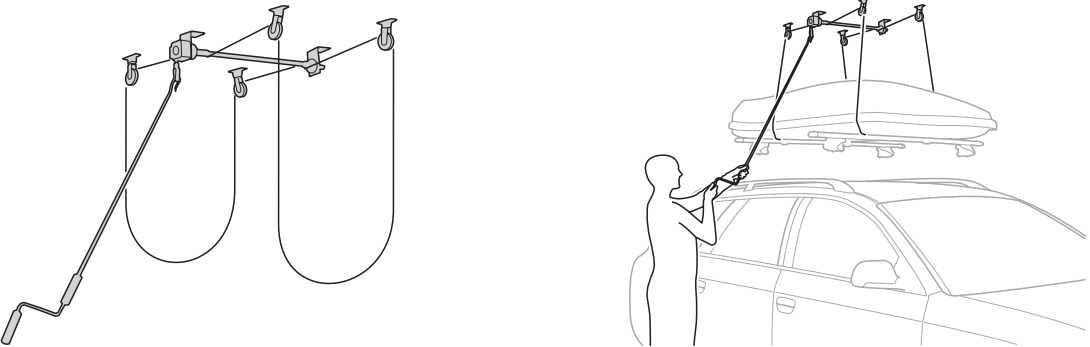
Thule T-Nut Adapter



696400 → 24x30 mm

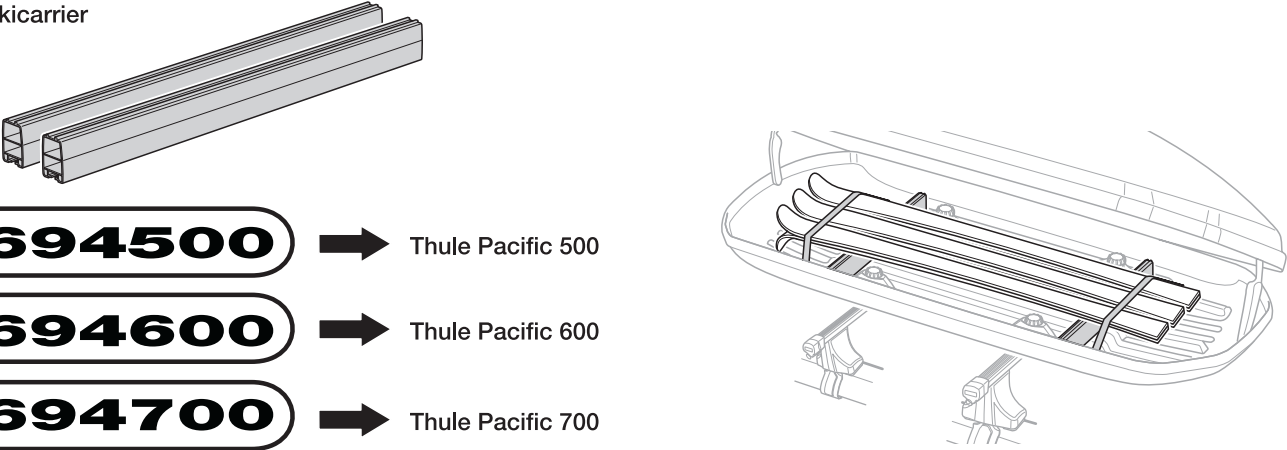
697400 → 20x20 mm

Thule Boxlift



571
571000

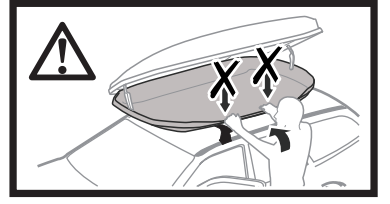
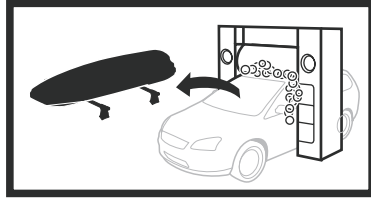
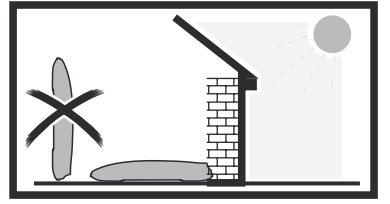
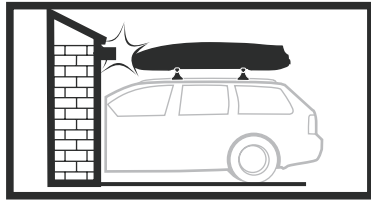
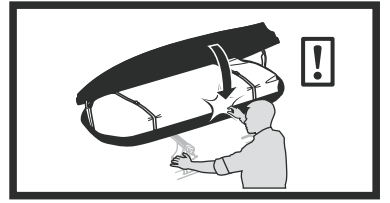
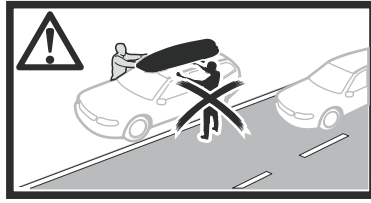
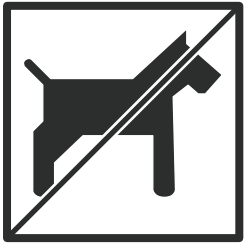
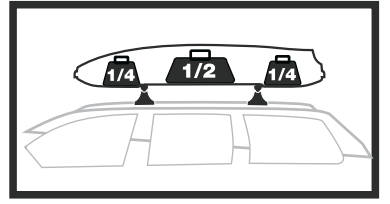
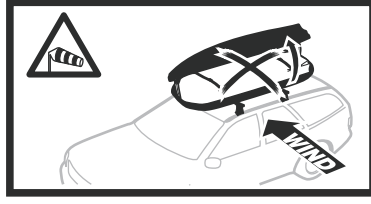
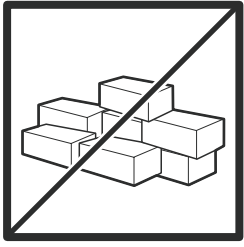
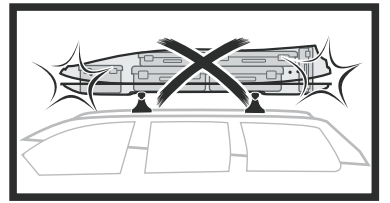
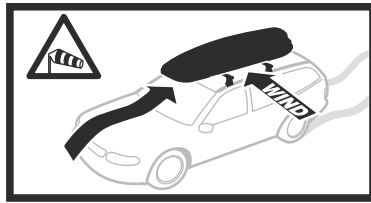
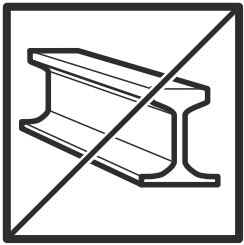
Thule Skicarrier



694500 → Thule Pacific 500

694600 → Thule Pacific 600

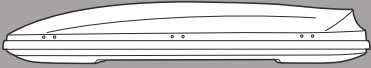
694700 → Thule Pacific 700



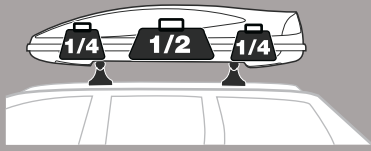
THULE
ONE KEY SYSTEM

- 544 (x4)
- 596 (x6)
- 588 (x8)
- 452 (x12)

1. Insert the key into the lock cylinder at a 45-degree angle.
2. Push the key into the lock cylinder.
3. Insert the key into the lock cylinder.
4. Push the key into the lock cylinder.
5. Insert the key into the lock cylinder.
6. Push the key into the lock cylinder.
7. Insert the key into the lock cylinder.
8. Push the key into the lock cylinder.



Pacific **100**: 12 kg
 Pacific **200**: 14 kg
 Pacific **500**: 12 kg
 Pacific **600**: 13 kg
 Pacific **700**: 15 kg



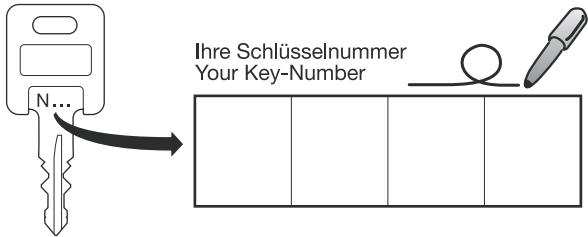
**Max.
50 kg**

Kaufdatum/Date of purchase:

Kassenzettel hier abheften
 Place receipt here

Händler/Dealer:

Stempel/stamp



Ihre Schlüsselnummer
 Your Key-Number