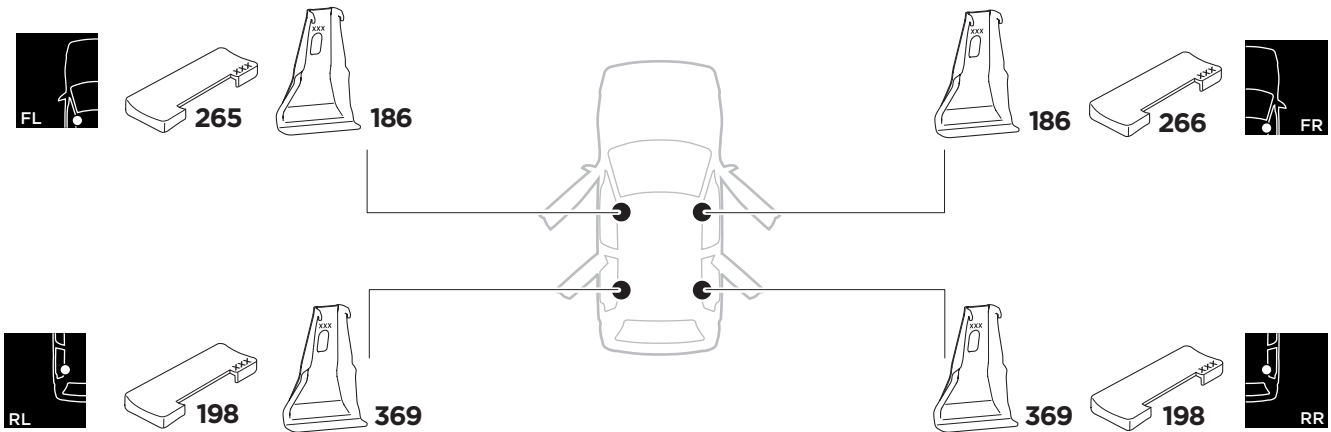
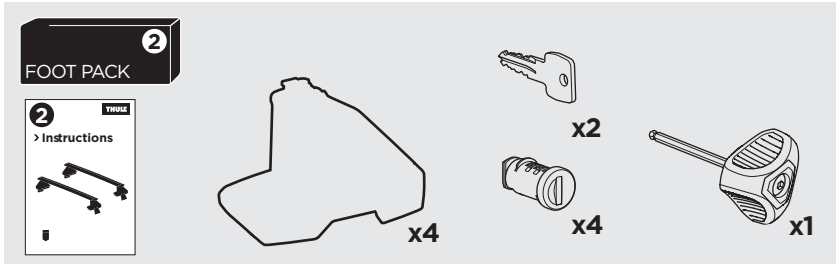
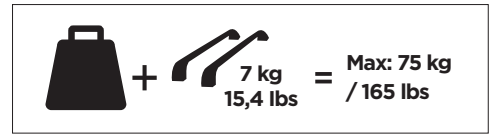
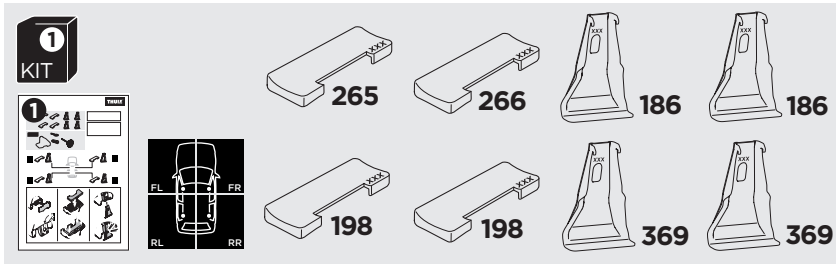


# 1

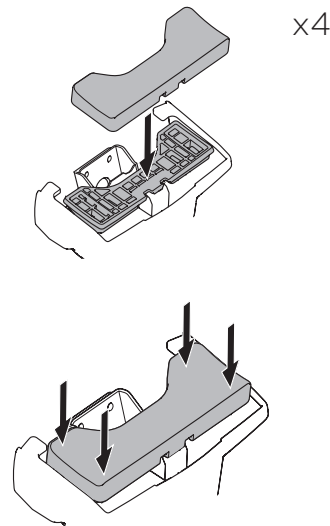
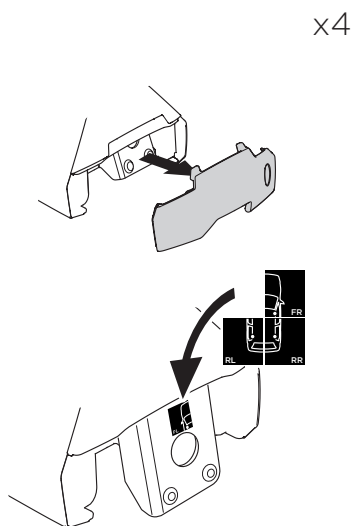
## Kit 5082

TOYOTA Camry, 4-dr Sedan, 18-

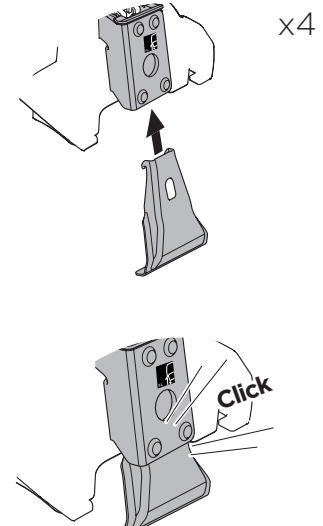
ISO 11154-E



**1** **1 KIT** + **2 FOOT PACK** **2**



**3** **2 FOOT PACK** **2**





THULE WingBar Evo	THULE WingBar Edge	THULE WingBar	THULE SquareBar	<b>Evo X (scale)</b>	<b>Edge X (scale)</b>
<b>TOYOTA Camry, 4-dr Sedan, 18-</b>				<b>39,5</b>	<b>R</b>

THULE ProBar	THULE SlideBar	<b>X (mm/inch)</b>		
<b>TOYOTA Camry, 4-dr Sedan, 18-</b>		<b>1046 mm / 41 1/8"</b>		



THULE WingBar Evo	THULE WingBar Edge	THULE WingBar	THULE SquareBar	<b>Evo Y (scale)</b>	<b>Edge Y (scale)</b>
<b>TOYOTA Camry, 4-dr Sedan, 18-</b>				<b>37</b>	<b>E</b>

THULE ProBar	THULE SlideBar	<b>Y (mm/inch)</b>		
<b>TOYOTA Camry, 4-dr Sedan, 18-</b>		<b>1021 mm / 40 1/4"</b>		

	<b>W (mm/inch)</b>	<b>Z (mm/inch)</b>
<b>TOYOTA Camry, 4-dr Sedan, 18-</b>	<b>775 mm / 30 1/2"</b>	<b>200 mm / 7 7/8"</b>

