

M8x40 - 1ks  
 M12x70 - 2ks (A)  
 M12x90 - 2ks (I)  
 M12x19 - 4ks (C)



SM8 - 1ks



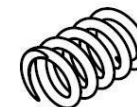
M12 - 2ks (A, I)



M12x1,5 - 8ks  
 (pôvodné)  
 (original)



P8 - 1ks  
 PP12 - 10ks (A, I)  
 PP12 - 12ks (C)

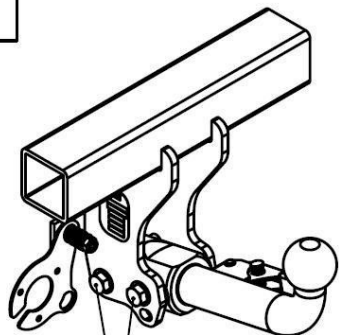


PR14x25 - 1ks



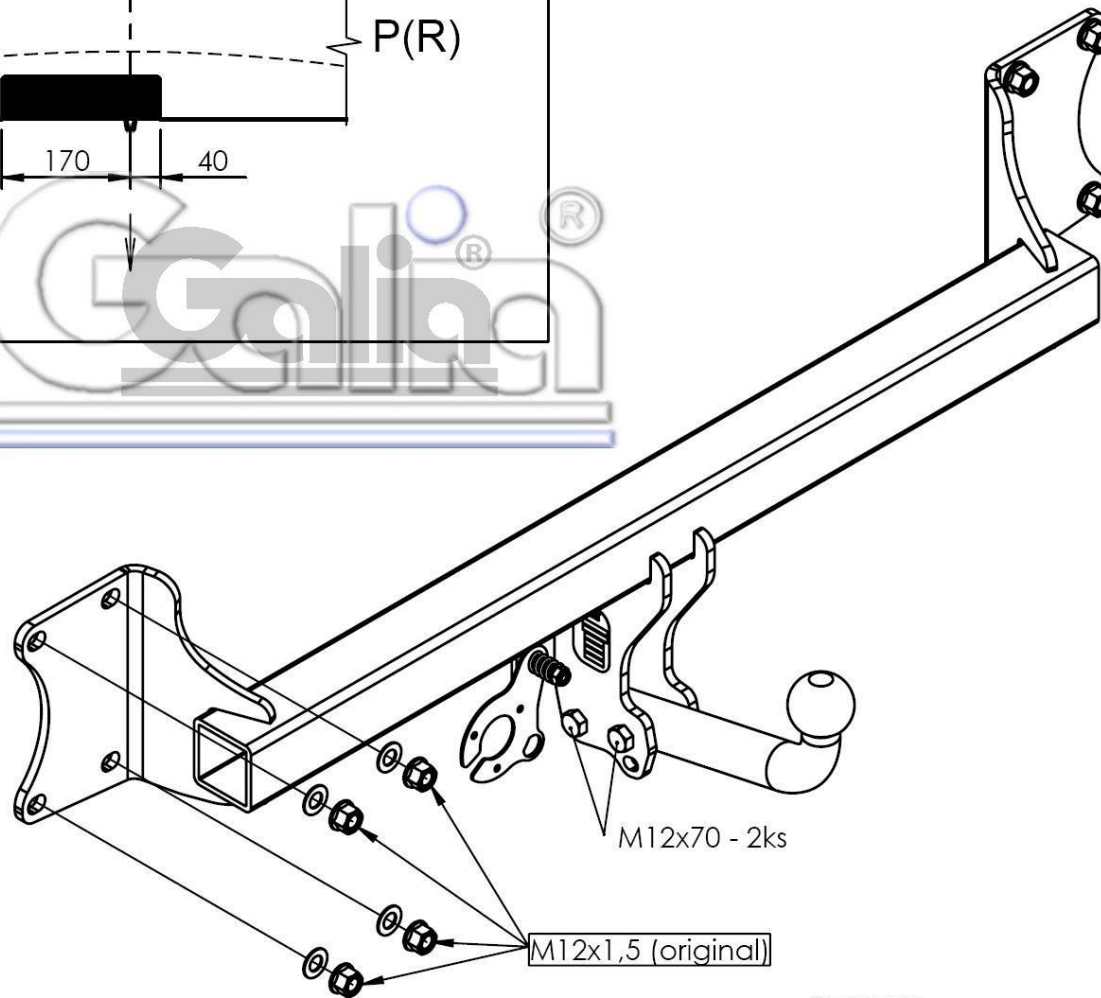
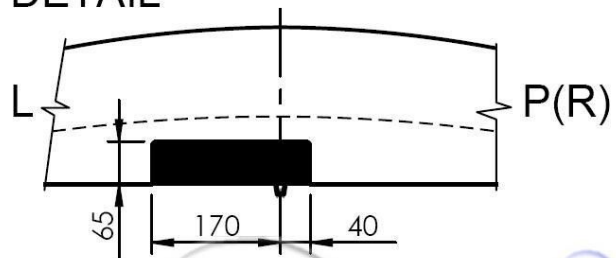
PLAST NIT - 4ks

C



M12x19 - 4ks

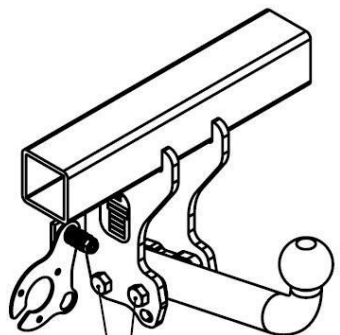
DETAIL



M12x70 - 2ks

M12x1,5 (original)

I



M12x90 - 2ks

AIC 325 12 1

BMW X5  
 Kód: B0175(A,I,C) 24. 5. 2012

A