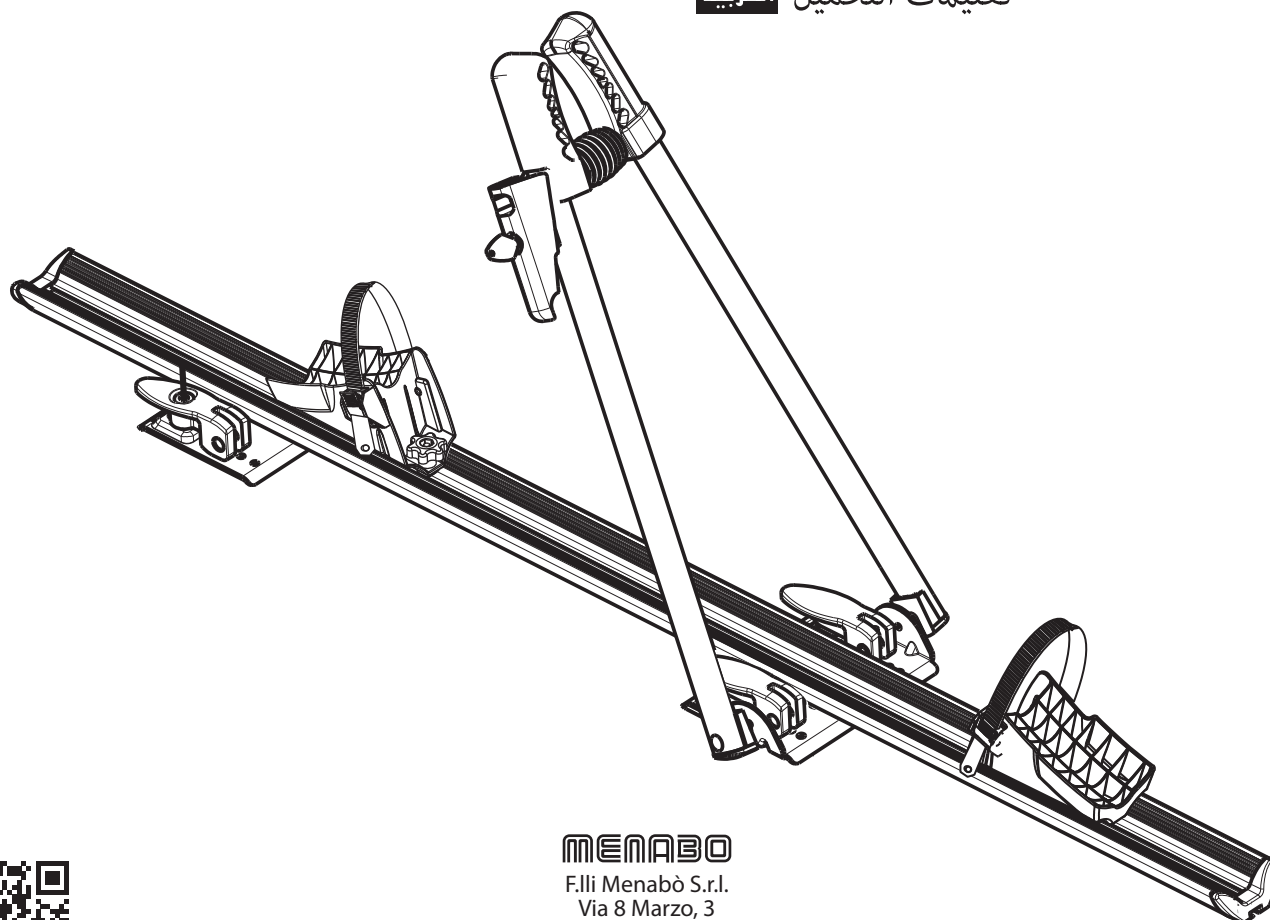


MENABO

JUZA

- | | | | |
|------------|-----------------------------|----------------|---------------------------|
| I | Istruzioni per il montaggio | RU | Инструкции по установке |
| GB | Fitting instructions | CZ | Návod na montáž |
| D | Montageanleitung | SK | Návod na montáž |
| F | Instructions de montage | SLO | Navodila za pritrdjevanje |
| E | Instrucciones de montaje | HR | Uputa za sastavljanje |
| NL | Montage-instructies | HU | A felszerelés módja |
| PT | Instruções de Montagem | GR | Οδηγίες συναρμολόγησης |
| S | Monteringsanvisning | DK | Monteringsvejledning |
| FIN | Asennusohje | RO | Instrucțiuni de montare |
| EST | Paigaldusjuhend | TK | Uydurma talimat |
| LAT | Stiprināšanas instrukcija | DK | Montering instruktion |
| LIT | Pritvirtinimo instrukcijos | N | Monteringsveiledning |
| PL | Instrukcja montażu | 中文 | 裝修指導 |
| | | العربية | تعليمات التجميع |



MENABO

F.lli Menabò S.r.l.

Via 8 Marzo, 3

I - 42025 Cavriago (RE)

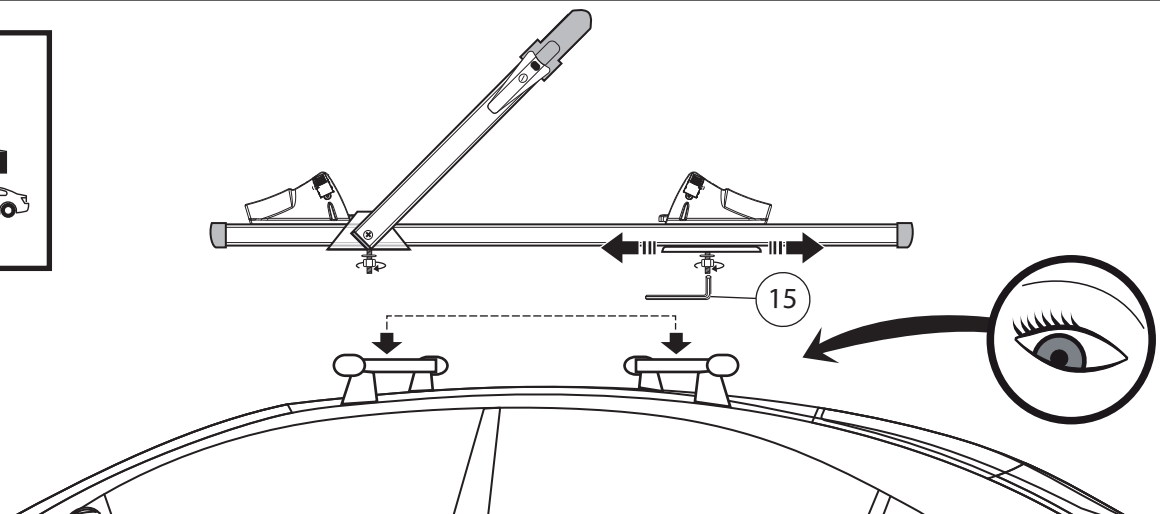
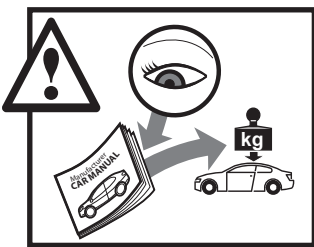
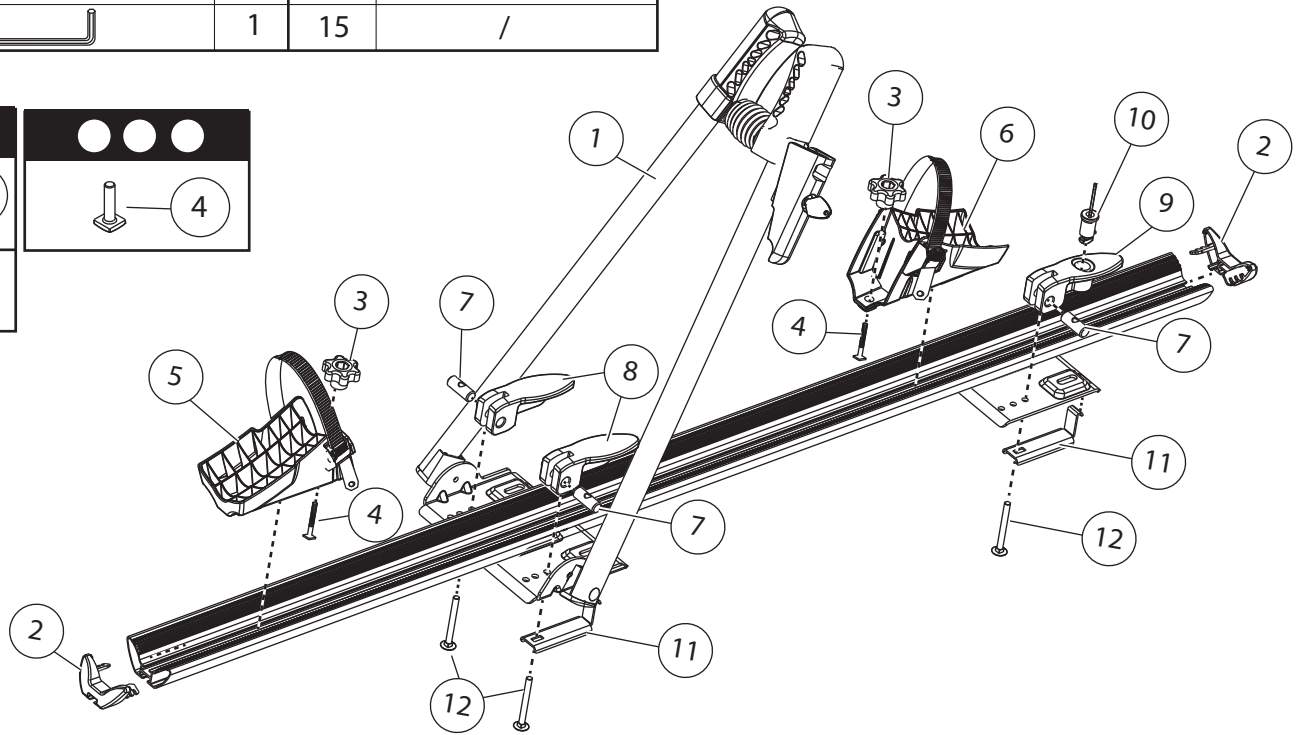
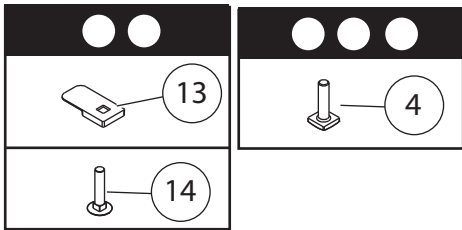
Tel. +39-0522/942840

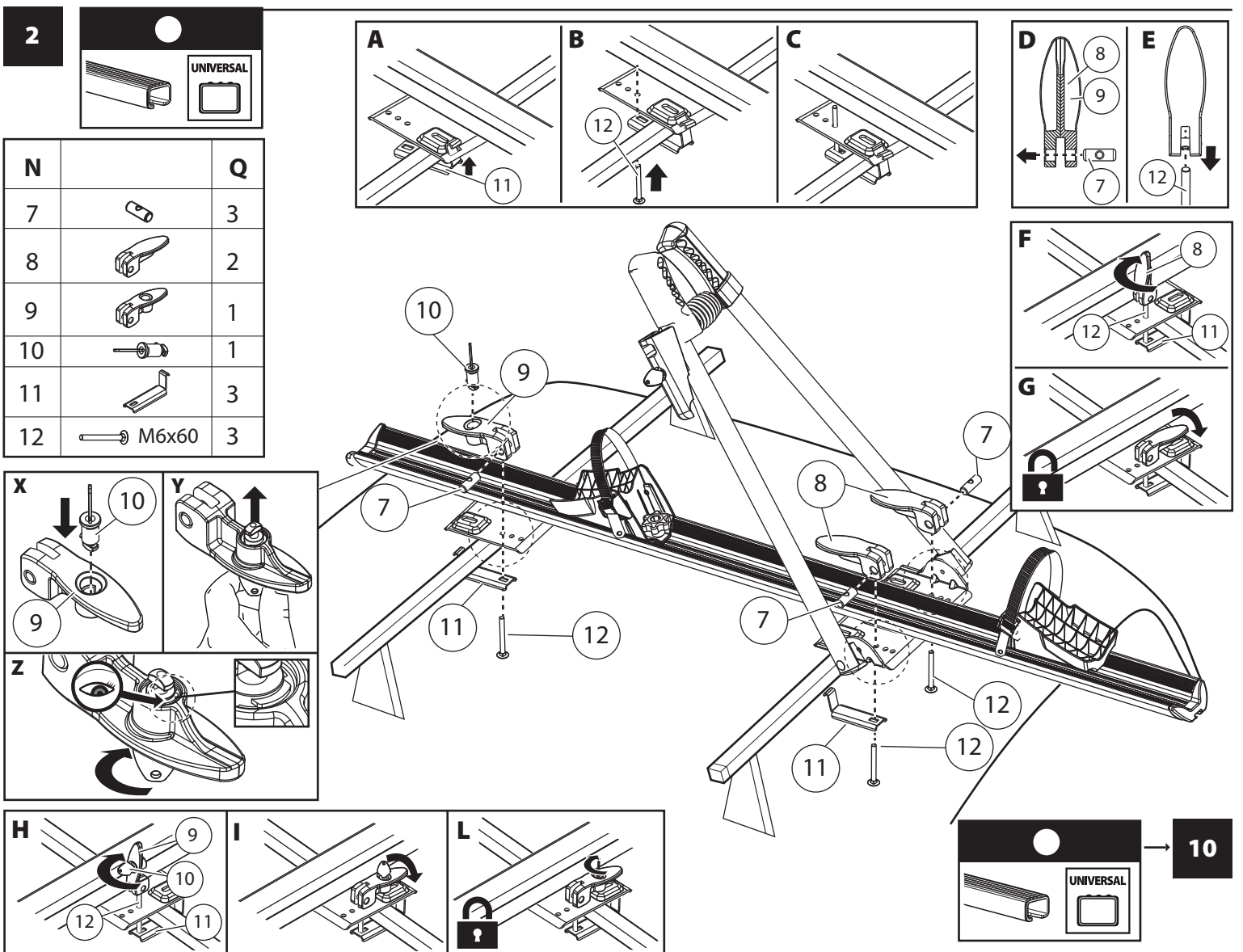
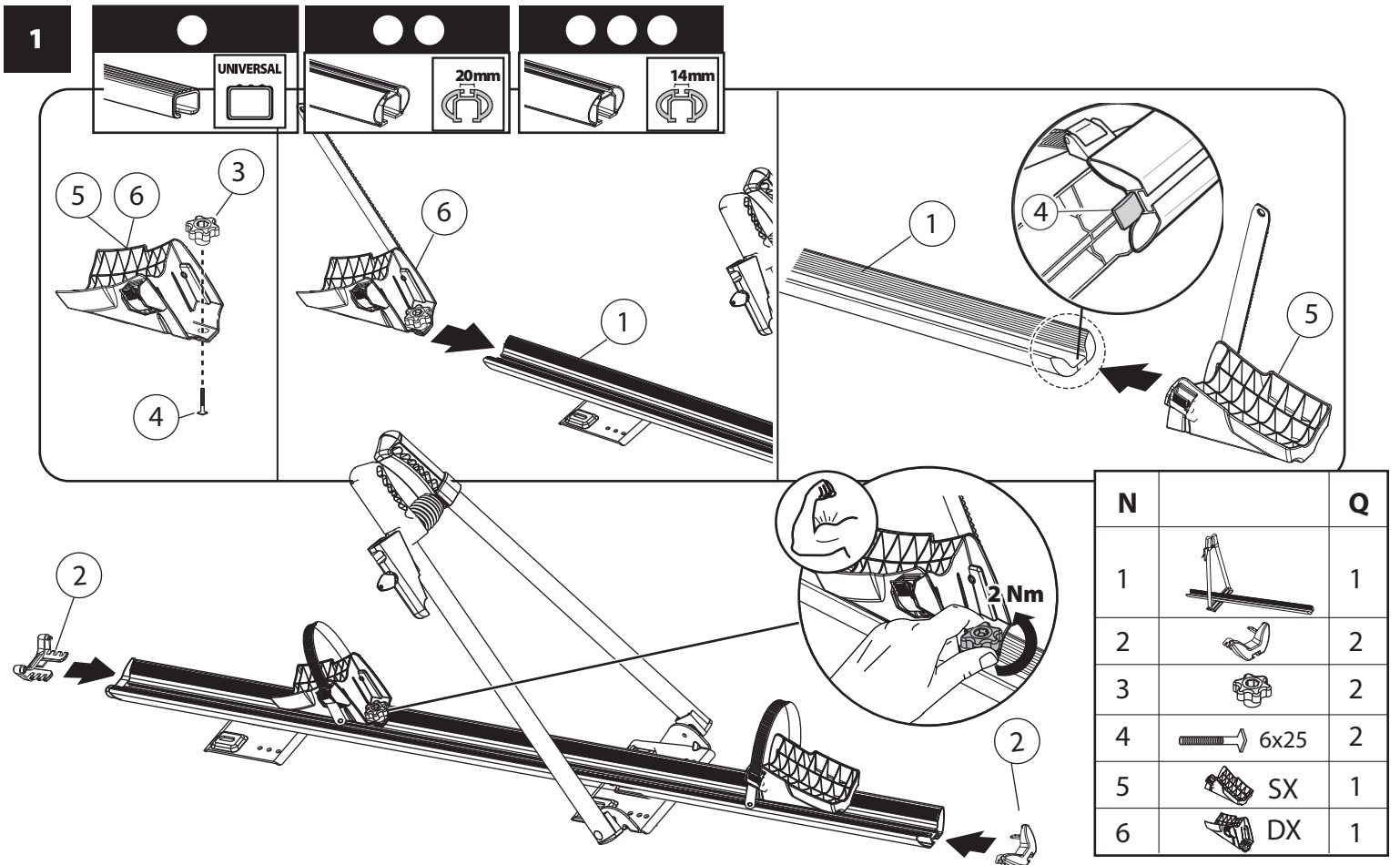
Fax. +39-0522/942948

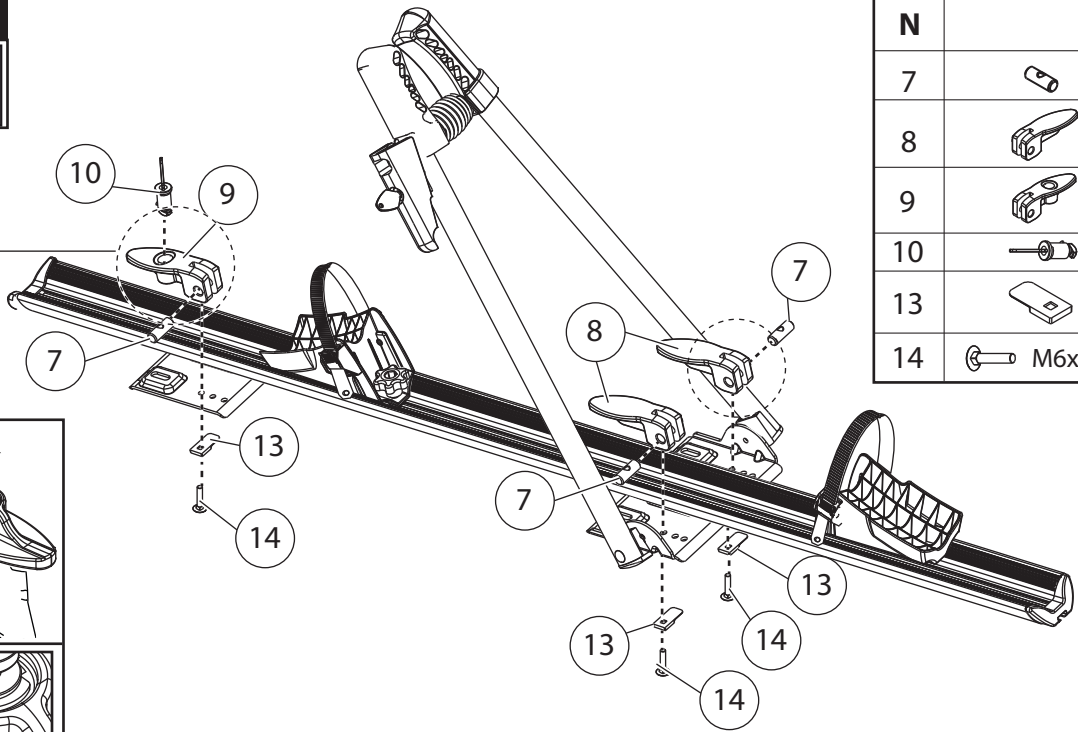
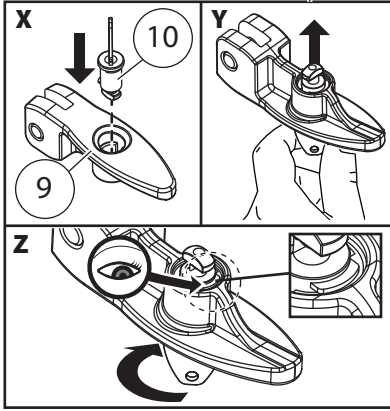
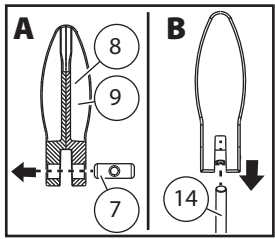
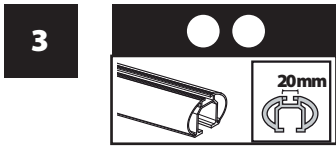
e-mail: info@fli-menabo.it

Web-site: www.fli-menabo.it

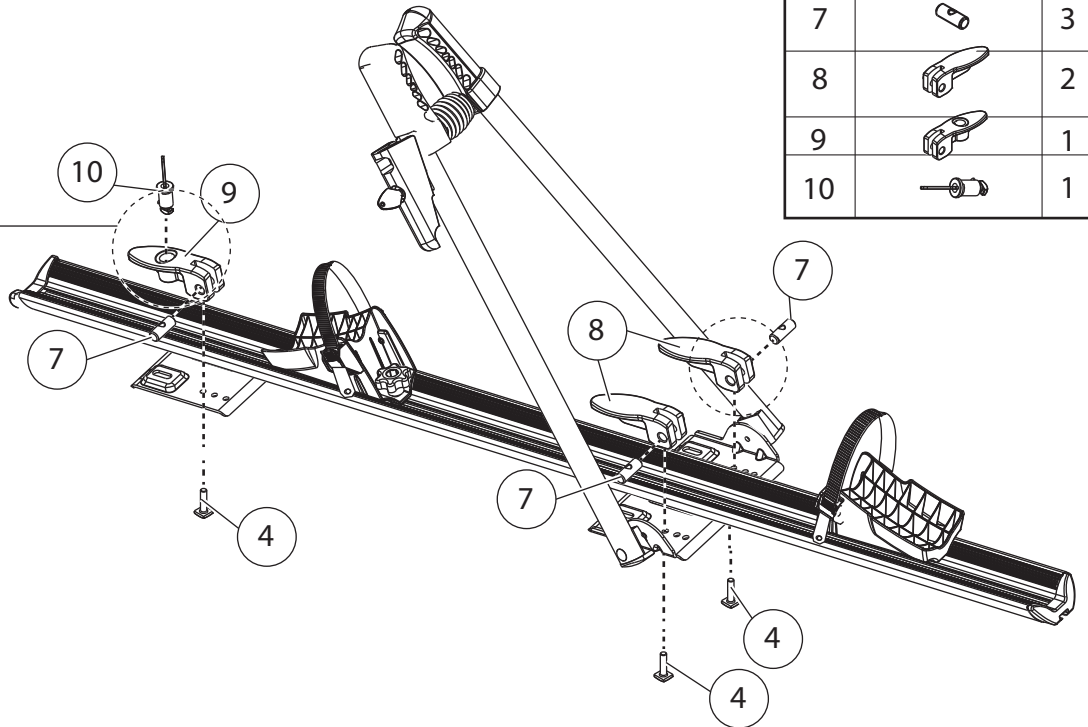
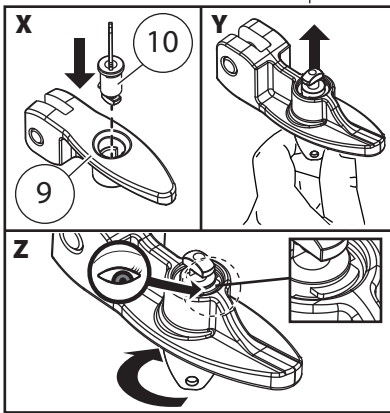
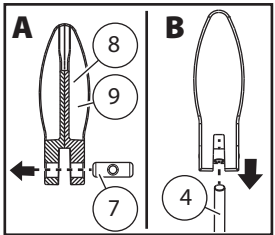
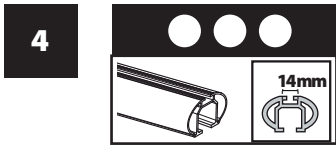
N	<ul style="list-style-type: none"> IT Componenti (Inclusi) GB Components (Included) F Composants (Comprises) DE Die Komponenten (im Lieferumfang enthalten) E Componentes (Incluido) RU Компоненты (в комплекте) 	Q	N	<ul style="list-style-type: none"> IT Ricambi (A Richiesta) GB Spare Parts (Made to order) F Pièces de rechange (Sur commande) DE E Teile (auf Anfrage) E Piezas de recambio (Previa solicitud) RU Запасные части (по запросу)
	<ul style="list-style-type: none"> Codice Code Code Code Código код 			
1		1		
2		2	2	700015500000
3		2	3	700021500000
4		5	4	
5		1	5	700017400000
6		1	6	
7		3	7	700021600000
8		2	8	
9		1	9	700021700000
10		1	10	700017600000
11		3	11	700021800000
12		3	12	700021500000
13		3	13	
14		3	14	
15		1	15	/



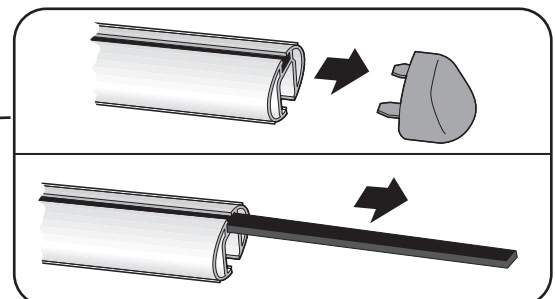
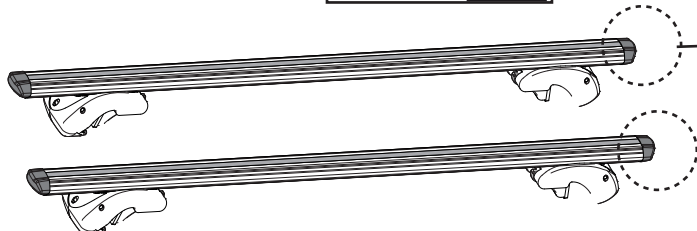
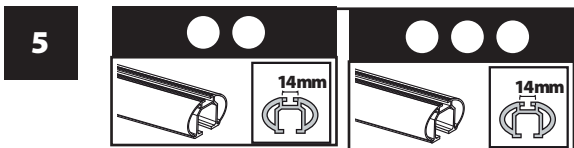




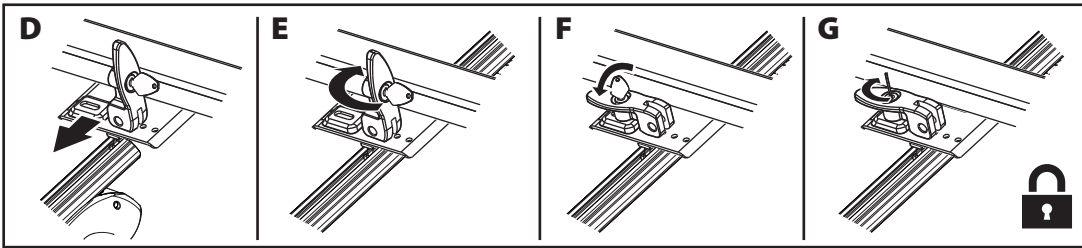
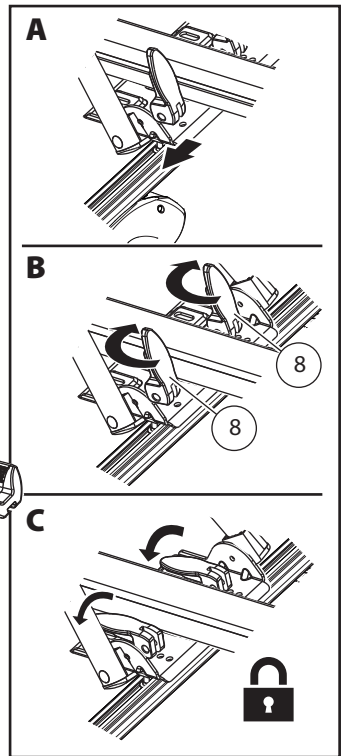
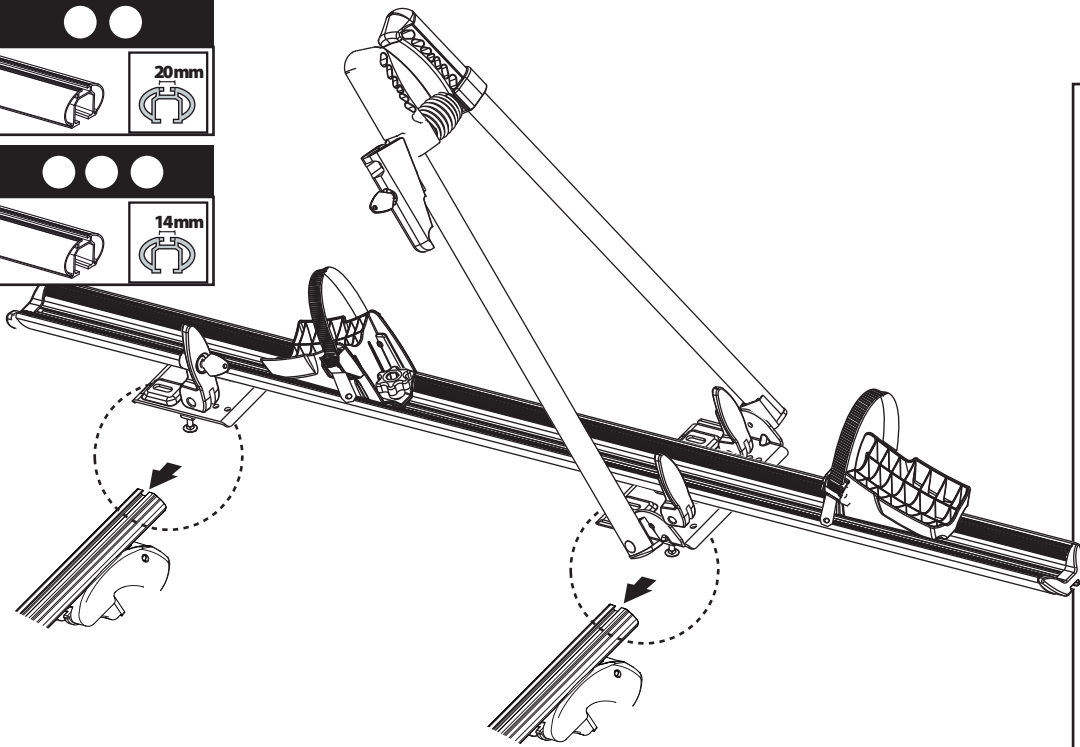
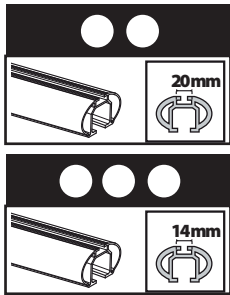
N		Q
7		3
8		2
9		1
10		1
13		3
14		3



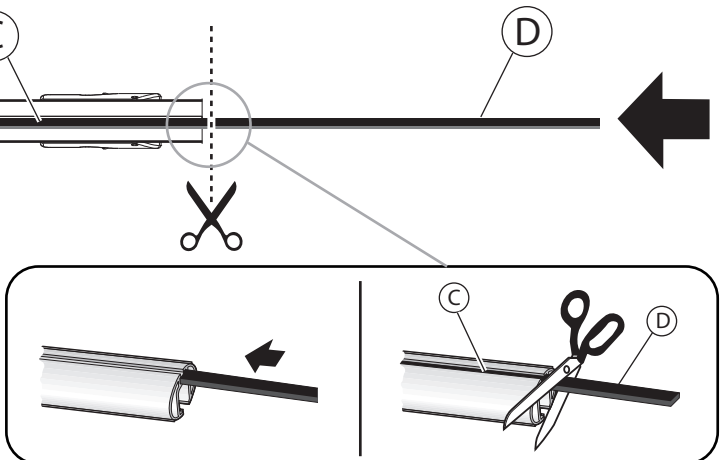
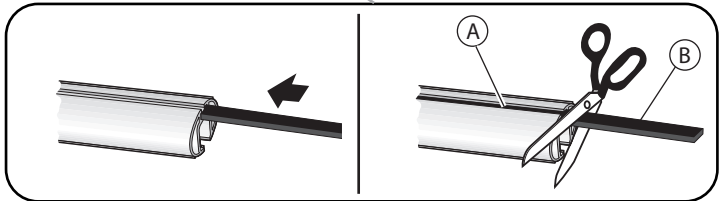
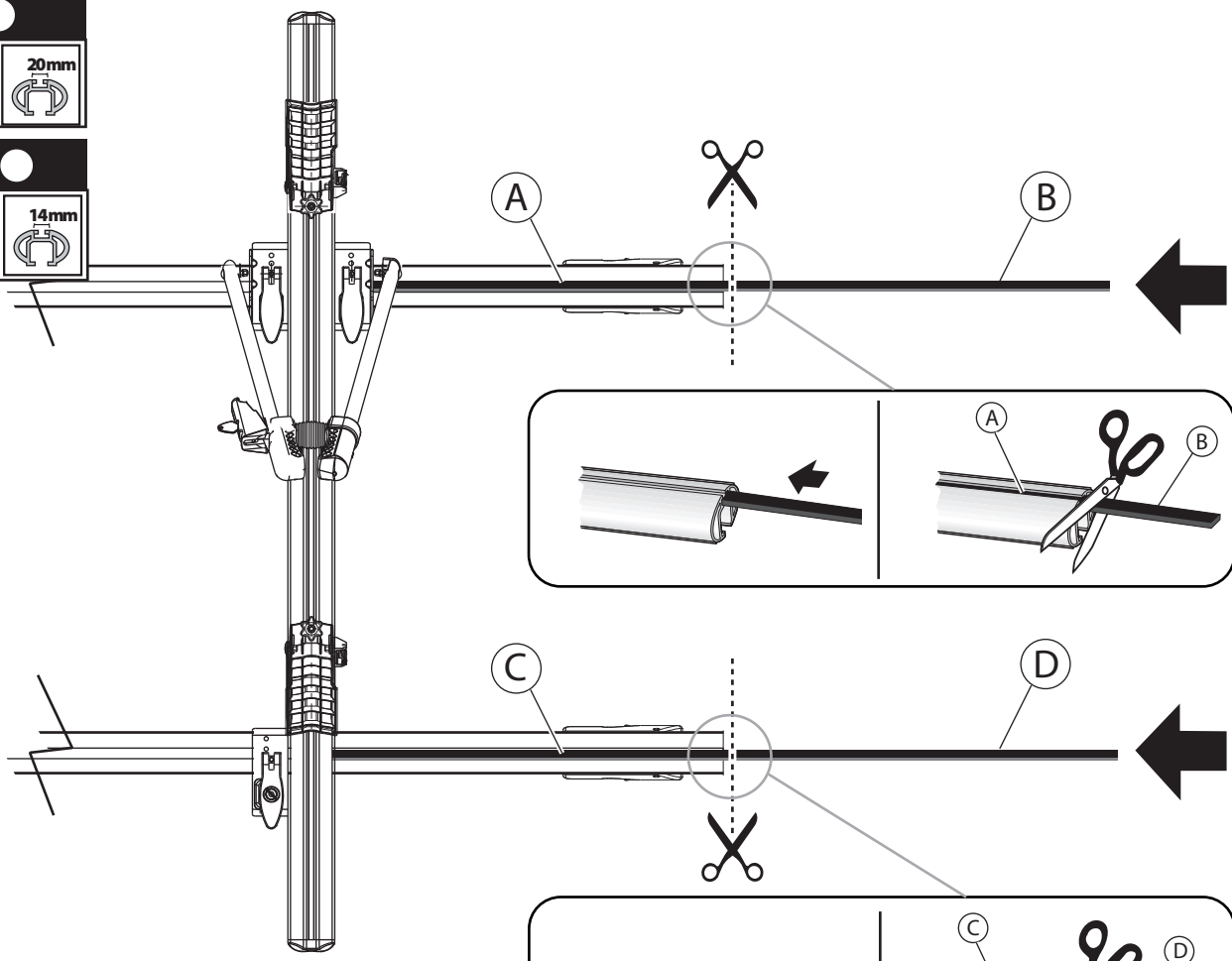
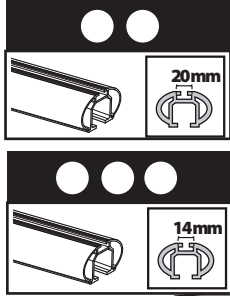
N		Q
4		3
7		3
8		2
9		1
10		1



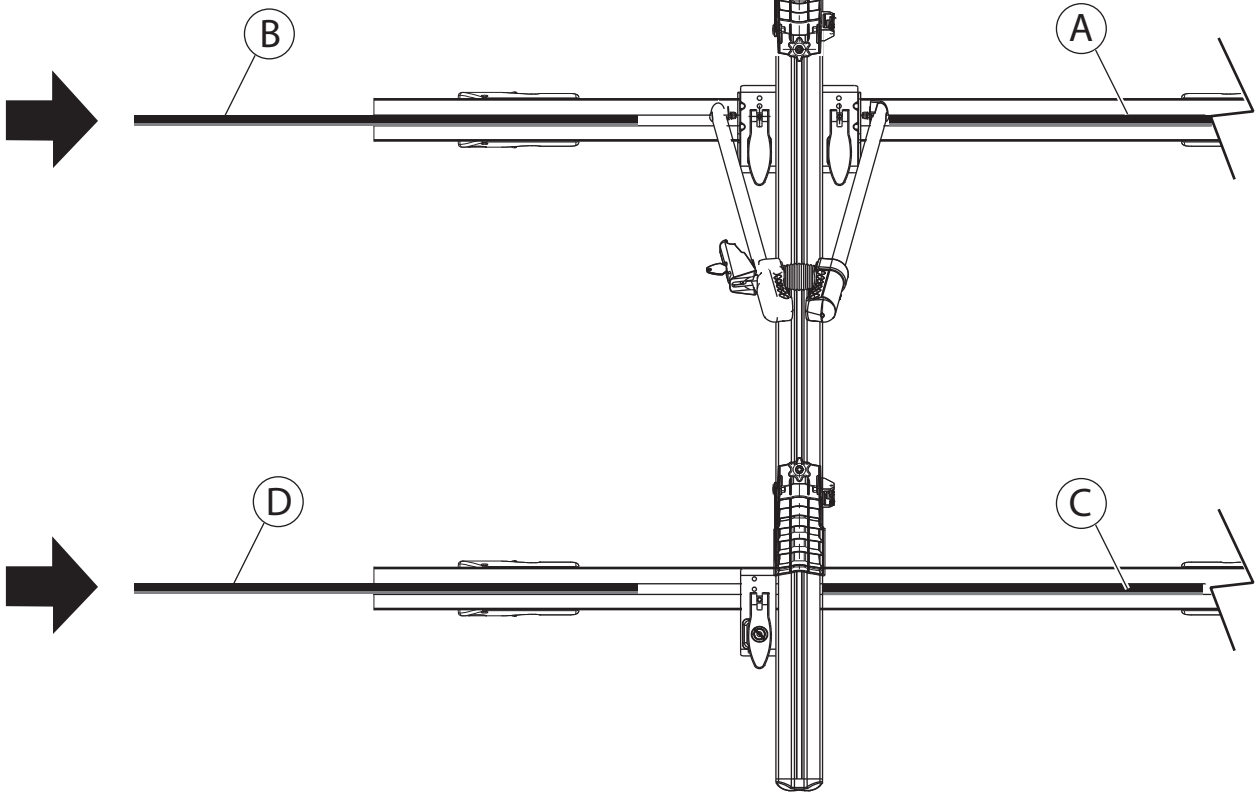
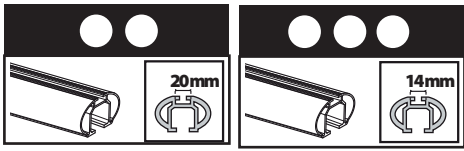
6



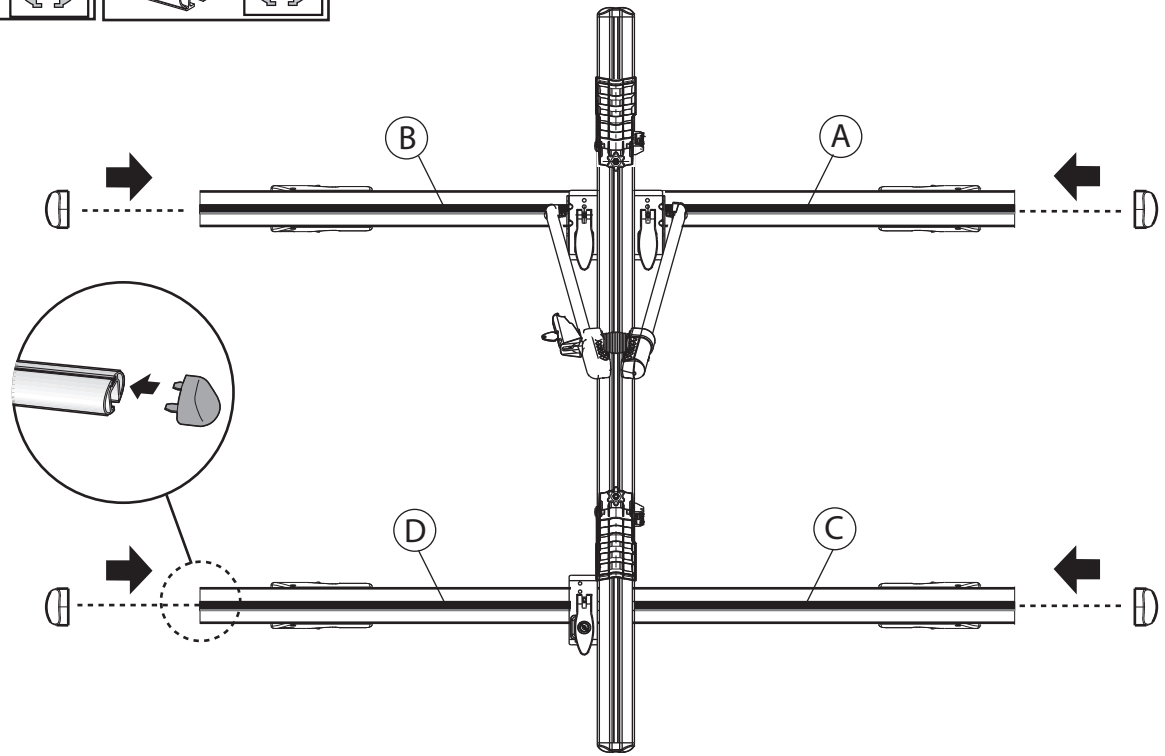
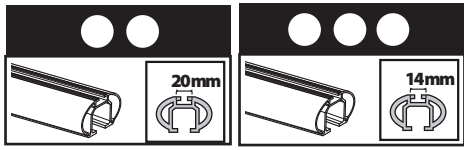
7

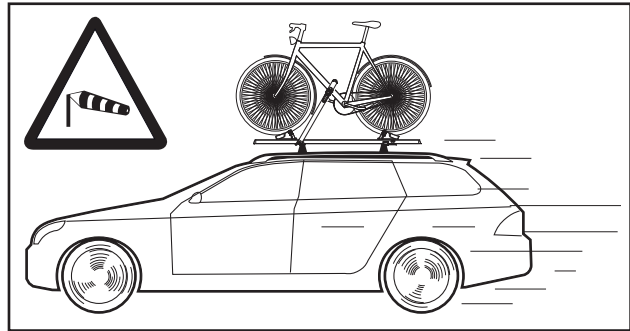
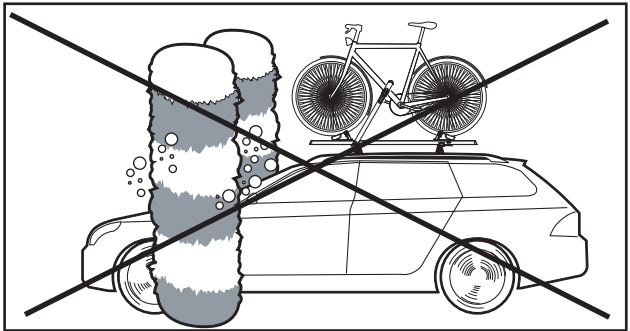
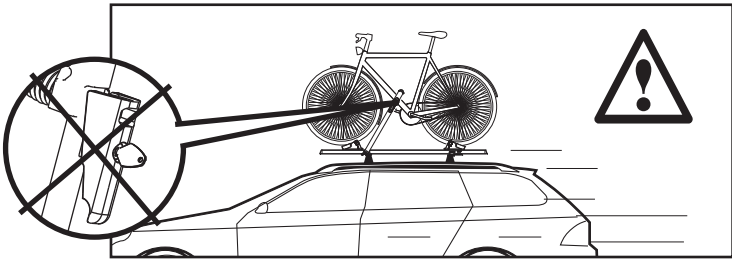
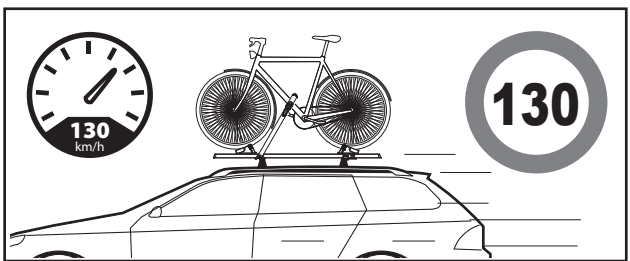
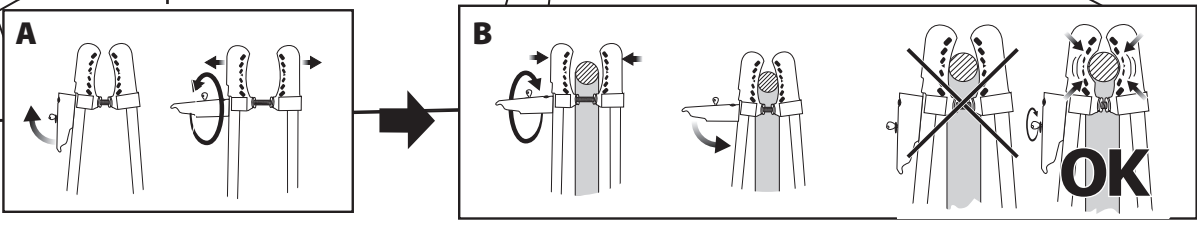
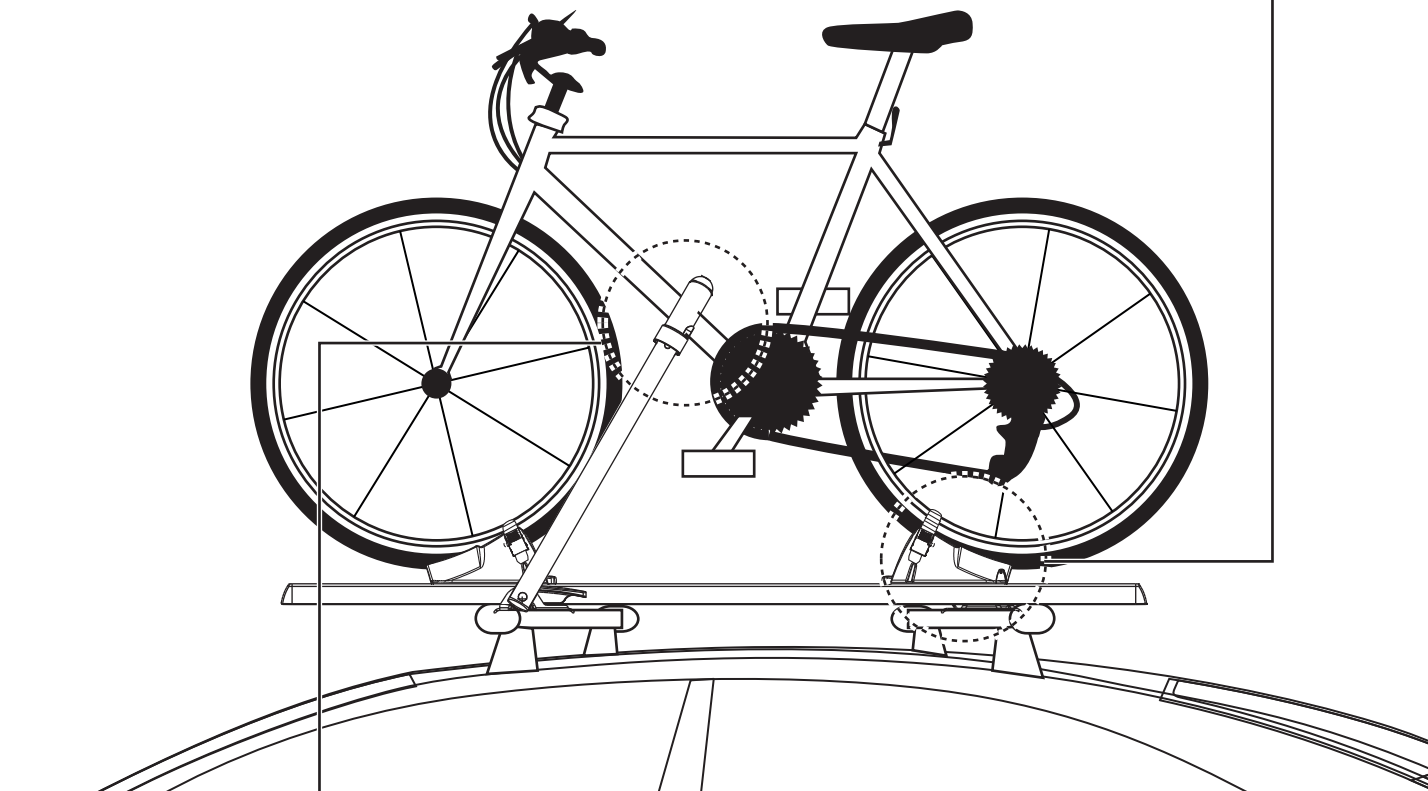
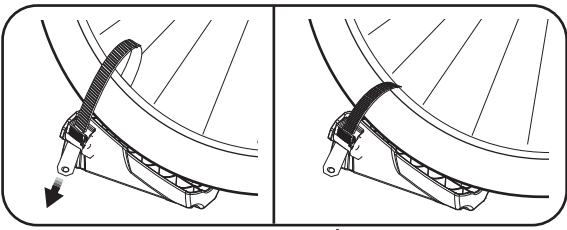
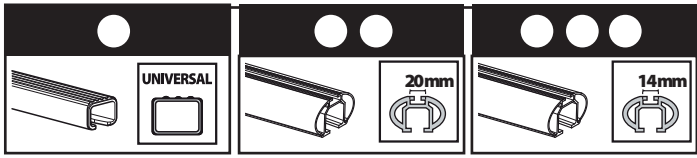


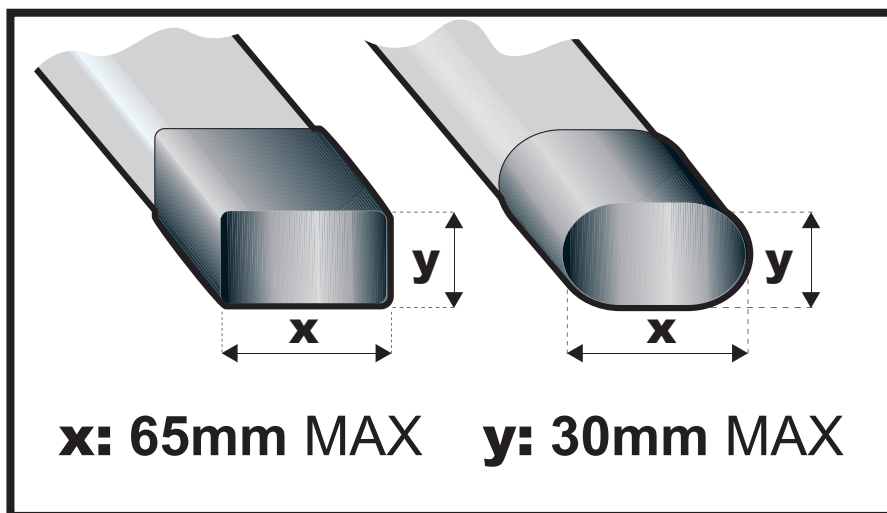
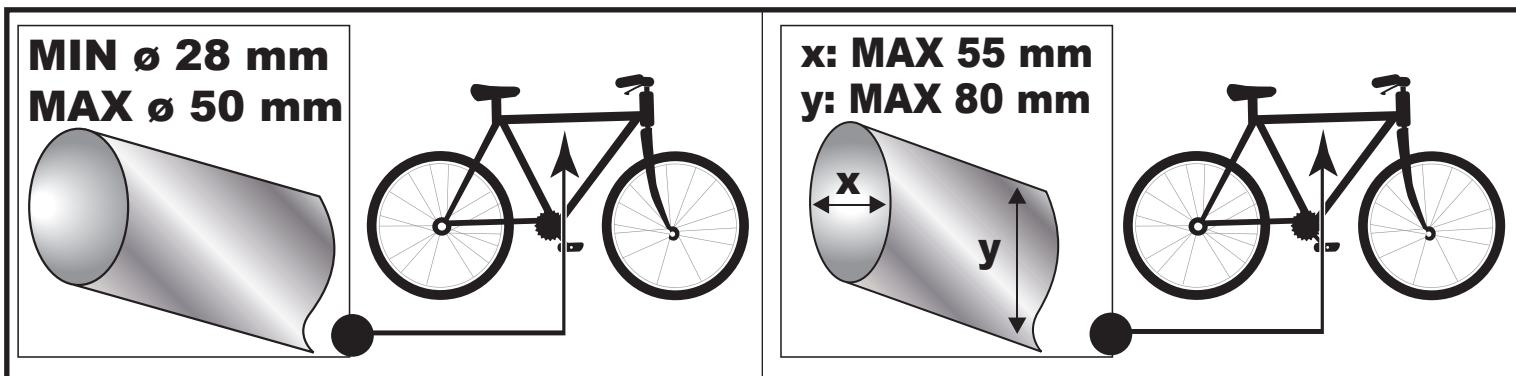
8



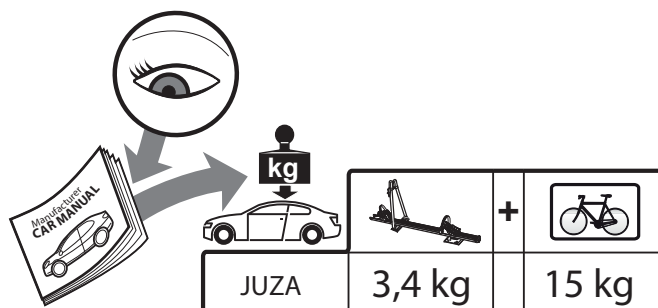
9







Cod. Art.	000081000000	Approvata da	AS
Cod. istr.	500011300000	Creata da	NP
Data	04/02/2015		



MENABO
 F.lli Menabò S.r.l.
 Via 8 Marzo, 3
 I - 42025 Cavriago (RE)
 Tel. +39-0522/942840
 Fax. +39-0522/942948
 e-mail: info@flli-menabo.it
 Web-site: www.flli-menabo.it

