

M8x40 - 1ks

M12x30 - 4ks
M12x40 - 4ks
M12x70 - 2ks (A)
M12x90 - 2ks (I)
M12x19 - 4ks (C)



MS8 - 1ks



M12 - 6ks (A, I)
M12 - 4ks (C)



P8 - 1ks

PP12 - 10ks (A, I)
PP12 - 12ks (C)

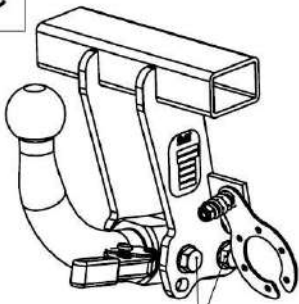


P13 - 4ks

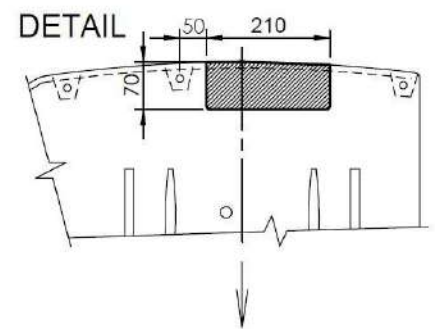
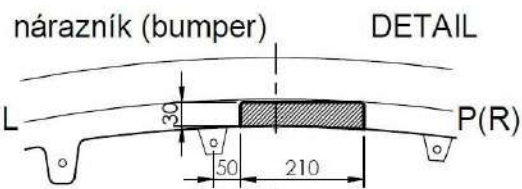


PR14 - 1ks

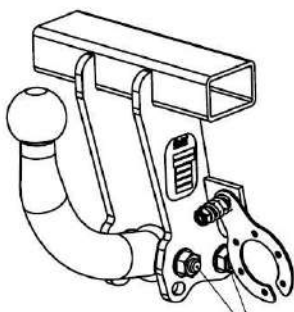
C



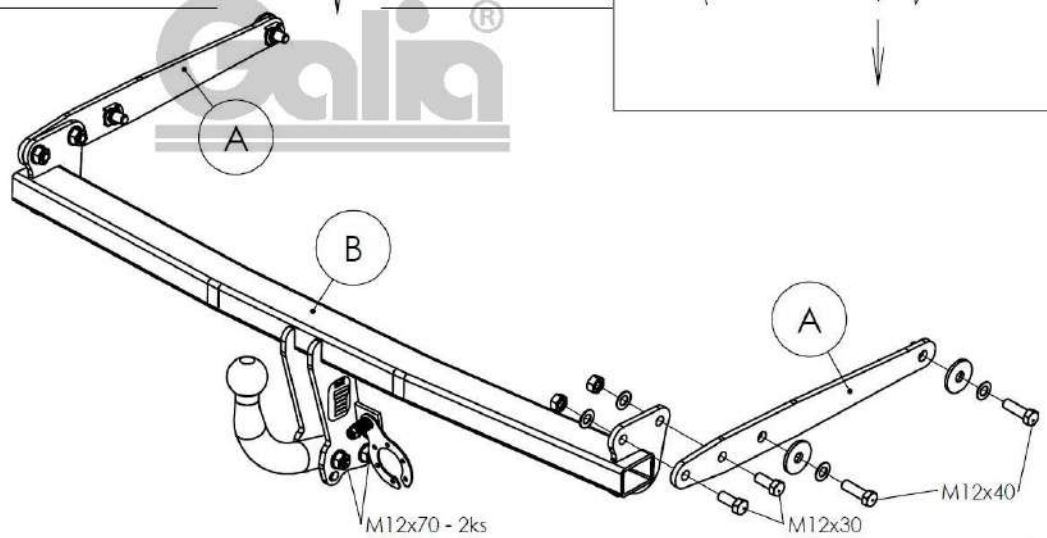
M12x19 - 4ks



I



M12x90 (10.9) - 2ks
110 Nm!



AIC 325 123

TOYOTA COROLLA
Kód: T0745(A,I,C) - 10. 10. 2019

A